

ZF 5HP30



Automatic Transmission Spare Parts Catalog



Warranty Information

Warranty coverage for ZF passenger car transmission spare parts and kits covers the first 12 months after installation in the vehicle, or 24 months after purchase from ZF Industries, Inc.

Warranty of the product is limited to replacement or repair, if found to be defective in ZF material or workmanship, and specifically does not cover removal, reinstallation, or any costs incidental to the repair of the vehicle, or any kind of consequential damages.

All warranty and/or non-warranty returns must be approved.

Disclaimer

The specifications and information shown in this catalog have been compiled from accepted and reliable sources and is believed to be accurate at the time of publication. While ZF Industries, Inc. believes this information is correct, no guarantee or warranty is made as to the accuracy of the information and ZF Industries, Inc. cannot and does not accept or assume any responsibilities for errors, omissions, or consequential harm or damages. Replacement parts should not be used when they do not appear to fit. ZF Industries, Inc. disclaims all liability and responsibility for any harm resulting from any such modifications.

Copyright

Printed in USA – Copyright © 2003 ZF Industries, Inc.

No part of this publication may be reproduced, stored in a retrieval system, or transmitted, in any form or by any means, electronic, mechanical, photocopying, recording, or otherwise, without prior written permission of ZF Industries, Inc.

Distributed By





Table of Contents

5HP30 Transmission Overview (North American Applications)	
Make / Model / Model Year	2
5HP30 Technical Information	
Torque, Gear Ratio & Weight	3
Transmission Oil Reference Guide	3
5HP30 Lubrications	3
5HP30 Technical Literature	3
5HP30 General Transmission Oil Filling Procedure	4
5HP30 Spare Parts	
How To Use This Catalog	6
Gearbox Housing Group	7
Input Group	10
Oil Sump Group	11
Oil Supply Group	12
Output Group	13
Converter Group	14
Parking Lock Group	15
Planetary Drive Groups	16
Clutch Pack Groups	18
5HP30 Valve Body	
Duct Plate Group	25
Valve Housing Groups	27
5HP30 Selective Shims, Snap Rings & Kit Content	
5HP30 Selective Shims & Snap Rings	32
5HP30 Kit Content	34
5HP30 Torque Converter Spare Parts & Kits	
5HP30 Torque Converter Spare Parts	40
5HP30 Torque Converter Kits	40
Miscellaneous	
Quotation / Order Form	41
Notes	42



5HP30 Transmission Overview (North American Applications)

Make / Model / Model Year – BMW (A5S 560Z)

Make	Model	Style	Model Year	From – Up to	Code	OE Part #	ZF Part #
BMW	540i	E34 Sedan (M60)	1992 – 1995	– 04/95	ML	24 00 1 421 349	1055 000 010
			1992 – 1995		PA	24 00 1 422 505	1055 000 029
BMW	540i	E39 Sedan (M60)	1995 – 1997	– 01/97	PK	24 00 1 422 476	1055 000 026
BMW	740i	E32 Sedan	1992 – 1994		ML	24 00 1 421 349	1055 000 010
			1992 – 1994		PA	24 00 1 422 505	1055 000 029
BMW	740i	E38 Sedan (M60)	1994 – 1995		PY	24 00 1 422 509	1055 000 031
BMW	740i	E38 Sedan (M62)	1996 – 1997	– 01/97	PK	24 00 1 422 476	1055 000 026
BMW	740iL	E32 Sedan	1992 – 1994		ML	24 00 1 421 349	1055 000 010
			1992 – 1994		PA	24 00 1 422 505	1055 000 029
BMW	740iL	E38 Sedan (M60)	1994 – 1995		PY	24 00 1 422 509	1055 000 031
BMW	740iL	E38 Sedan (M62)	1996 – 1997	– 01/97	PK	24 00 1 422 476	1055 000 026
BMW	750iL	E38 Sedan	1994 – 1995	– 04/95	OC	24 00 1 421 818	1055 000 017
			1994 – 1998	– 09/98	PZ	24 00 1 422 511	1055 000 032
			1998 – 2001	09/98 –	TK	24 00 1 423 478	1055 000 040
BMW	840Ci	E31 Coupe	1995 – 1996		PK	24 00 1 422 476	1055 000 026
BMW	840i	E31 Coupe	1993 – 1995	– 04/95	MR	24 00 1 421 499	1055 000 011
			1993 – 1995		PL	24 00 1 422 507	1055 000 030
BMW	850Ci	E31 Coupe (M73)	1994 – 1995	– 04/95	OC	24 00 1 421 818	1055 000 017
			1994 – 1997		PZ	24 00 1 422 511	1055 000 032

Note: Transmission specification number 1055 000 010 is replaced by 1055 000 029, 1055 000 011 is replaced by 1055 000 030, and 1055 000 017 is replaced by 1055 000 032.

Make / Model / Model Year – Aston Martin

Make	Model	Engine	Model Year	OE Part #	ZF Part #
Aston Martin	DB7 Vantage	V12 6.0 liter	1999 –	42-120296-AA	1055 000 039
Aston Martin	DB7 Vantage Volante	V12 6.0 liter	1999 –	42-120296-AA	1055 000 039

Make / Model / Model Year – Bentley

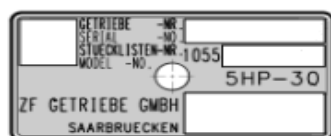
Make	Model	Engine	Model Year	OE Part #	ZF Part #
Bentley	Arnage	V8 6.8 liter	1999 –	PL20318PA	1055 000 028

Make / Model / Model Year – Rolls Royce

Make	Model	Engine	Model Year	OE Part #	ZF Part #
Rolls Royce	Silver Seraph	V12 5.4 liter	1998 –	PL20365PA	1055 000 027

Note: This spare parts catalog includes only transmission specification numbers for North American applications. For all other 5HP30 transmission specification numbers, please contact your preferred ZF passenger car transmission distributor for more information about available spare parts and kits.

Type Plate: Located on the main housing of transmission. Please refer to ZF transmission specification # when searching for spare parts and kits in this catalog (last three digits).



- ← Transmission Serial #
- ← ZF Transmission Specification #
- ← Vehicle Manufacturer Transmission #



5HP30 Technical Information

Torque, Gear Ratio & Weight

Input Torque	1 st Gear	2 nd Gear	3 rd Gear	4 th Gear	5 th Gear	Rev Gear	Weight (approximate)	Oil Capacity (approximate)
560 Nm	3.55	2.24	1.54	1.00	0.79	3.68	~109 kg (240 lbs.)	~13.5 liter (14.3 quart)

Transmission Oil Reference Guide

Make	Oil Grade	Type Plate (color)	ZF Part #	OE Part #
BMW	SHELL LA 2634	Black	1055 000 010	24 00 1 421 349
			1055 000 011	24 00 1 421 499
			1055 000 029	24 00 1 421 349
			1055 000 030	24 00 1 422 507
	ESSO LT 71141	Green	1055 000 017	24 00 1 421 818
			1055 000 026	24 00 1 422 476
			1055 000 031	24 00 1 422 509
			1055 000 032	24 00 1 422 511
1055 000 040	24 00 1 423 478			
Aston Martin	ESSO LT 71141	Green	1055 000 039	42120296AA
Bentley	ESSO LT 71141	Green	1055 000 028	PL20318PA
Rolls Royce	ESSO LT 71141	Green	1055 000 027	PL20365PA

5HP30 Lubrications

Amount	ZF Part #	Description	Where used (1055 000 ___)	Notes
20 Liter	0671 090 148	Oil SHELL LA 2634 (Canister)	010/011/029/030	
209 Liter	0671 090 149	Oil SHELL LA 2634 (Drum)	010/011/029/030	
20 Liter	0671 090 166	Oil ESSO LT 71141 (Canister)	017/026/027/028/031/ 032/039/040	
205 Liter	0671 090 169	Oil ESSO LT 71141 (Drum)	017/026/027/028/031/ 032/039/040	

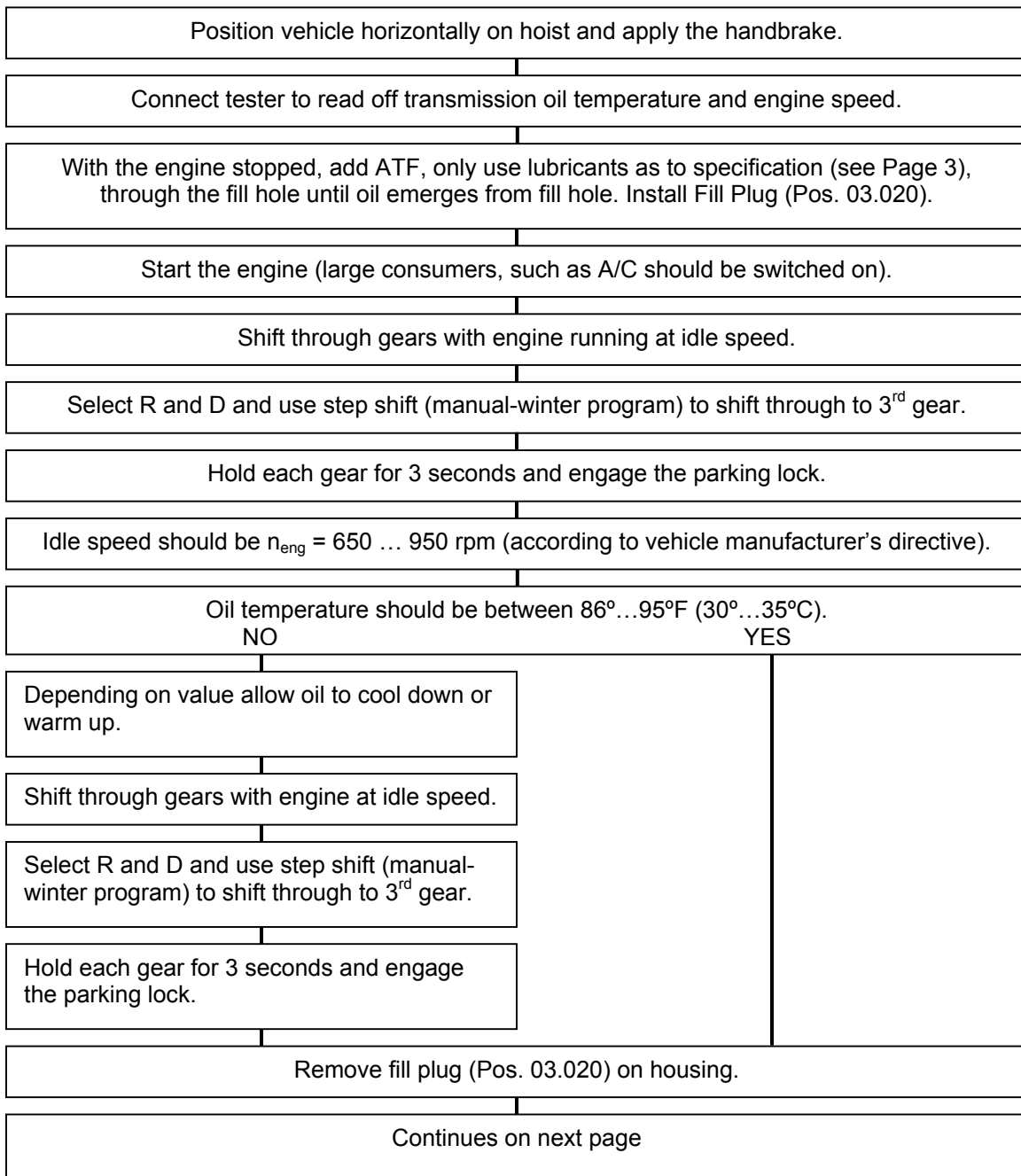
5HP30 Technical Literature

Language	ZF Part #	Description	Where used (1055 000 ___)	Notes
English	5HP30FD	5HP30 Functional Description	All	
English	5HP30REP	5HP30 Repair Manual	010/011/017/026/029/ 030/031/032/040	
Eng/Ger	1055 764 701	5HP30 Wall Chart	All	
English	5HPVBMAN	5-Speed Valve Body Manual	All	



5HP30 Technical Information (continued)

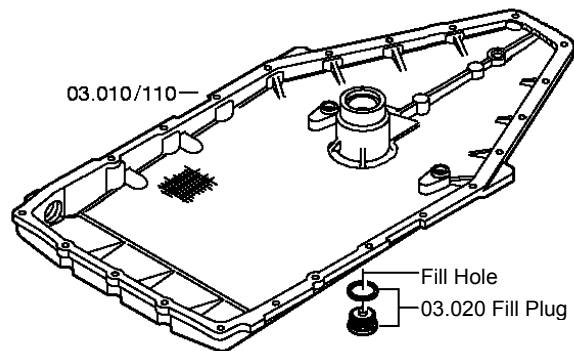
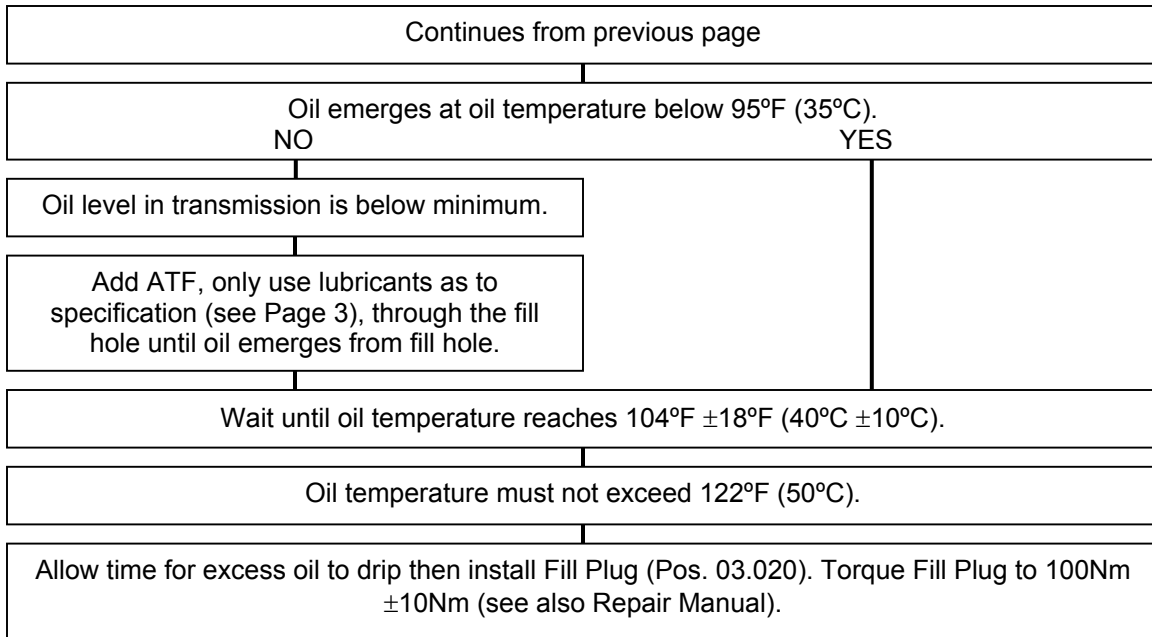
5HP30 General Transmission Oil Filling Procedure





5HP30 Technical Information (continued)

5HP30 General Transmission Oil Filling Procedure (continued)





How To Use This Catalog

Table of Contents

Each transmission group of this catalog is listed in the table of contents. This spare parts catalog includes only transmission specification numbers for North American applications.

Technical Information

All technical information is specific to the transmission models that are referenced in this catalog. Weight and oil capacity information are only approximate and may vary by actual transmission specification. For any technical inquiry, please contact your preferred ZF passenger car transmission distributor for assistance. For a list of technical literature available from ZF or for answers to frequently asked questions about ZF transmissions visit us at www.zf-group.com.

Spare Parts

Each transmission is divided into groups (e.g. gearbox housing group). The position number (**Pos #**) is used to identify the location of each spare part in the transmission. A position number like 01.010 is either a spare part or an assembly. A position number like 01.010/110 is a subcomponent of an assembly. Please contact your preferred ZF passenger car transmission distributor about availability of assemblies and subcomponents.

The part number (**ZF part #**) is used to identify a specific spare part and is usually ten-digits (kits, lubricants, and technical literature have exceptions). Please use this part number, when ordering ZF spare parts.

The description (**Description**) identifies the spare part.

The quantity (**Qty**) is the amount of spare parts included in one transmission model for a certain position number. The quantity may vary depending on the transmission specification and certain spare parts may be used in multiple positions in the transmission.

This catalog includes only spare parts for North American specifications of a ZF transmission application. The “where used” column (**Where used (10_ 000 __)**) shows the last three digits of the transmission specification that uses the listed spare part. If the column indicates “All”, then all North American transmission specification use this spare part.

The notes column (**Notes**) gives more information about the spare part (e.g. included in a kit).

Example:

Pos #	ZF Part #	Description	Qty	Where used (1056 000 __)	Notes
01.010	1056 201 084	Gearbox Housing	1	087/088	
	1056 201 087	Gearbox Housing	1	081	
01.010/110	1056 301 174	Gearbox Housing	1	087/088	
	1056 301 175	Gearbox Housing	1	081	

Selective Shims, Snap Rings & Kit Content

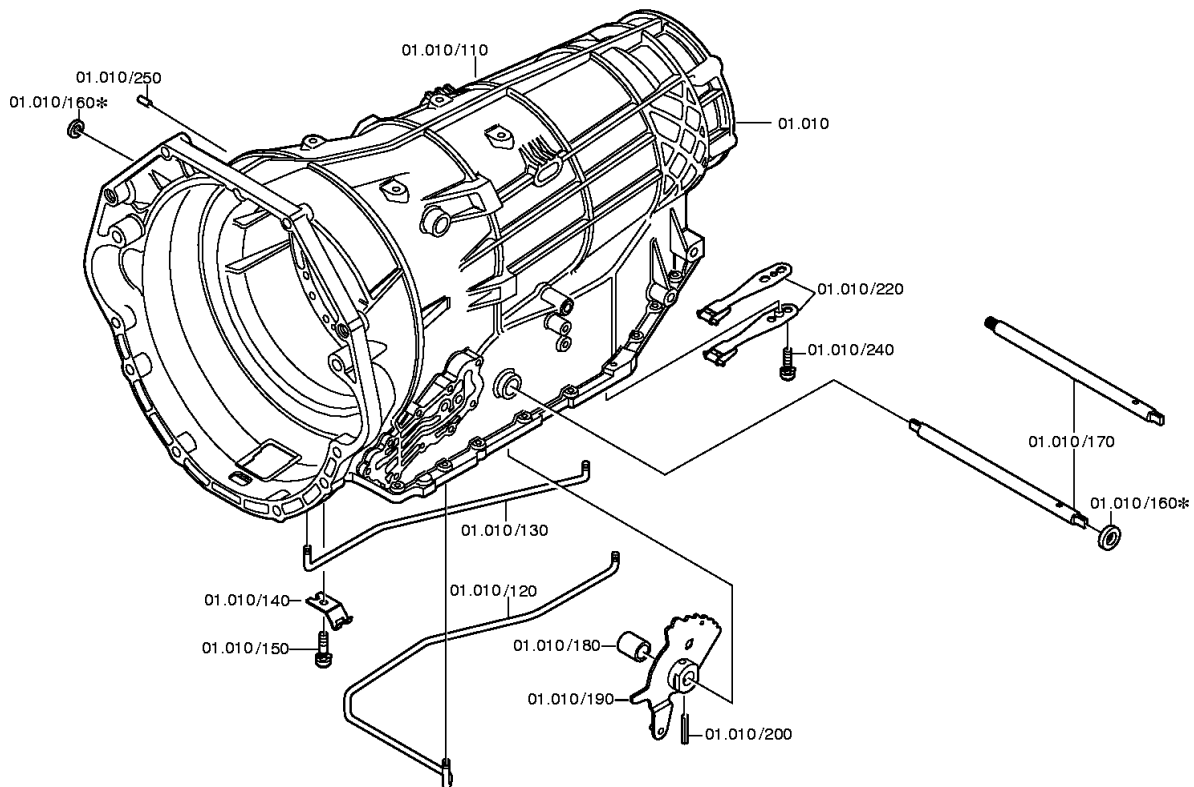
Each list for selective shims or snap rings is listed in this section of the catalog. Please measure the clearance according to the repair manual and select the required spare part from the table.

The kit content section shows all available kits for the transmission models that are referenced in this catalog, including the content of each kit.



5HP30 Spare Parts - Gearbox Housing Group

Pos #	ZF Part #	Description	Qty	Where used (1055 000 ___)	Notes
01.010	1055 201 070	Gearbox Housing	1	010/017/027/029/032/040	
	1055 201 072	Gearbox Housing	1	026/028/031	
	1055 201 073	Gearbox Housing	1	011/030	
01.010/110	1055 301 101	Gearbox Housing	1	017/027/032/039/040	
	1055 301 103	Gearbox Housing	1	010/029	
	1055 301 108	Gearbox Housing	1	011/026/028/030/031	
01.010/120	1055 301 022	Pipe	1	All	
01.010/130	1055 301 023	Oil Tube	1	All	
01.010/140	1055 301 010	Bracket	1	All	
01.010/150	0736 101 240	Torx Screw M6x13	1	All	
01.010/160	0734 319 623	Shaft Seal 10x18x5	2	All	* Available in kit 1055 298 019
01.010/170	1055 306 013	Selector Shaft	1	017/026/027/028/031/032/039/040	
	1055 306 022	Selector Shaft	1	010/011/029/030	
01.010/180	1056 306 004	Pipe	1	All	
01.010/190	1055 206 012	Detent Disc	1	All	
01.010/200	0501 313 410	Clamping Sleeve	1	All	
01.010/220	1055 206 013	Detent Spring	1	010/011/029/030	
	1055 206 014	Detent Spring	1	017/026/027/028/031/032/039/040	
01.010/240	0736 101 240	Torx Screw M6x13	2	All	
01.010/250	0631 306 058	Cylindrical Pin	1	017/026/027/028/031/032/039/040	

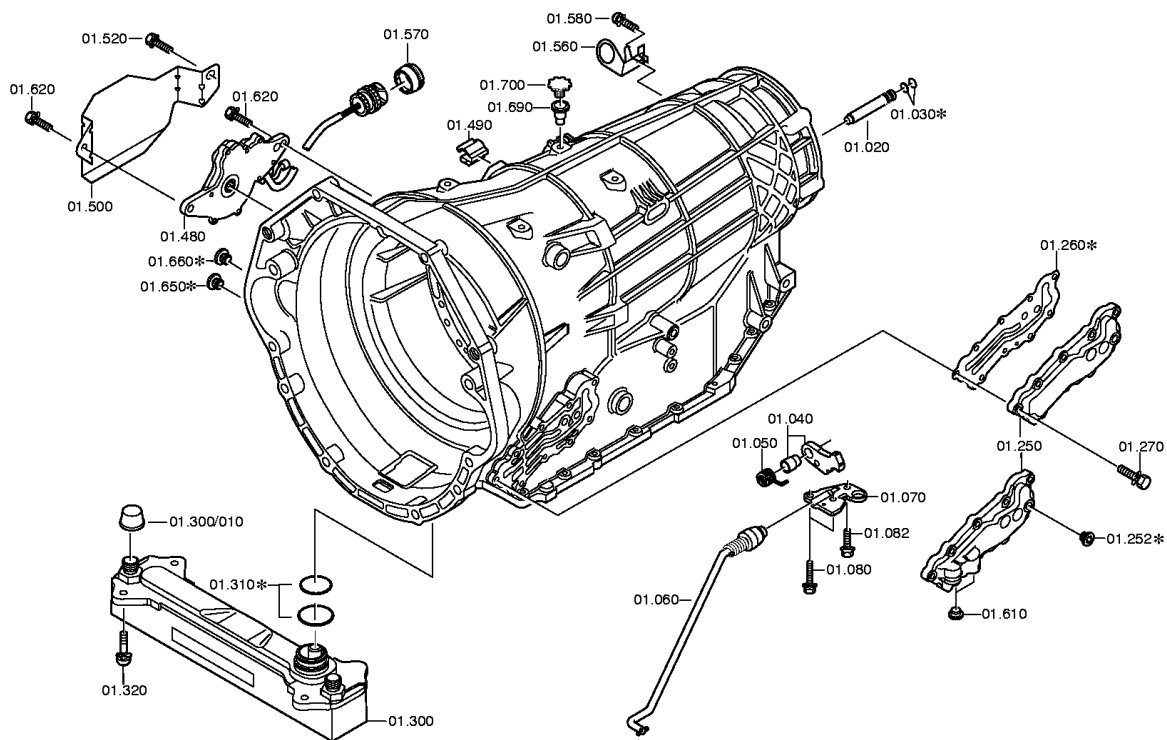


Note: Parts marked with * are only available in kits.



5HP30 Spare Parts - Gearbox Housing Group (continued)

Pos #	ZF Part #	Description	Qty	Where used (1055 000 ___)	Notes
01.020	1055 324 005	Pin	1	All	
01.030	0734 313 104	O-Ring	2	All	* Available in kit 1055 298 019
01.040	1055 224 001	Pawl	1	All	
01.050	1055 324 019	Leg Spring	1	All	
01.060	1055 324 007	Connection Bar	1	All	
01.070	1055 324 015	Guiding Plate	1	All	
01.080	0636 024 008	Hexagon Screw M8x25	2	All	
01.082	0636 024 009	Hexagon Screw M8x22	1	All	
01.250	1055 301 097	Cover	1	010/029	
	1055 301 098	Cover	1	011/017/026/030/031/ 032/039/040	
	1055 301 107	Cover	1	027/028	
01.252	0501 318 572	Screw Plug M10x1	1	010/029	* Available in kit 1055 298 019
01.260	0750 112 154	Gasket	1	All	* Available in kit 1055 298 019
01.270	0636 015 360	Hexagon Screw M6x20	9	All	
01.300	0501 004 186	Oil Cooler	1	010/029	
01.300/010	0637 900 029	Plug	2	010/029	

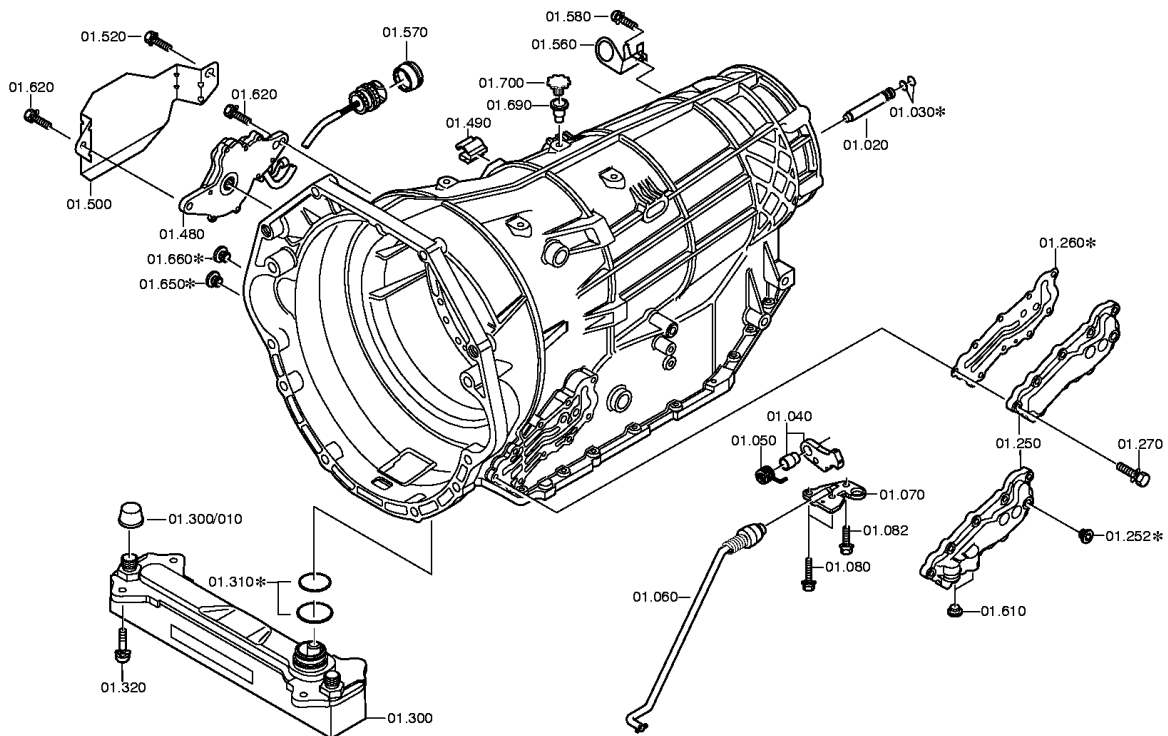


Note: Parts marked with * are only available in kits.



5HP30 Spare Parts - Gearbox Housing Group (continued)

Pos #	ZF Part #	Description	Qty	Where used (1055 000 ___)	Notes
01.310	0734 313 128	O-Ring	2	010/029	* Available in kit 1055 298 019
01.320	0736 101 382	Torx Screw M6x15	4	010/029	
01.480	0501 208 862	Switch	1	017/026/027/028/031/ 032	
	0501 211 253	Switch	1	039/040	
01.490	0501 315 431	Cable Terminal	1	017/026/027/028/031/ 032/039/040	
01.500	1055 301 092	Sheet	1	017/026/027/028/031/ 032/039/040	
01.520	0636 025 078	Hexagon Screw M6x15	1	017/026/027/028/031/ 032/039/040	
01.560	1055 301 091	Bracket	1	017/026/027/028/031/ 032/039/040	
01.570	0501 315 137	Bracket	1	039/040	
01.580	0636 025 078	Hexagon Screw M6x15	1	017/026/027/028/031/ 032/039/040	
01.610	0637 900 068	Plug	2	011/017/026/027/028/ 030/031/032/039/040	
01.620	0636 015 360	Hexagon Screw M6x20	2	017/026/027/028/031/ 032/039/040	
01.650	0501 318 572	Screw Plug M10x1	1	All	* Available in kit 1055 298 019
01.660	0501 318 572	Screw Plug M10x1	1	All	* Available in kit 1055 298 019
01.690	0501 318 900	Breather Tube	1	All	
01.700	0501 314 809	Breather Cover	1	All	

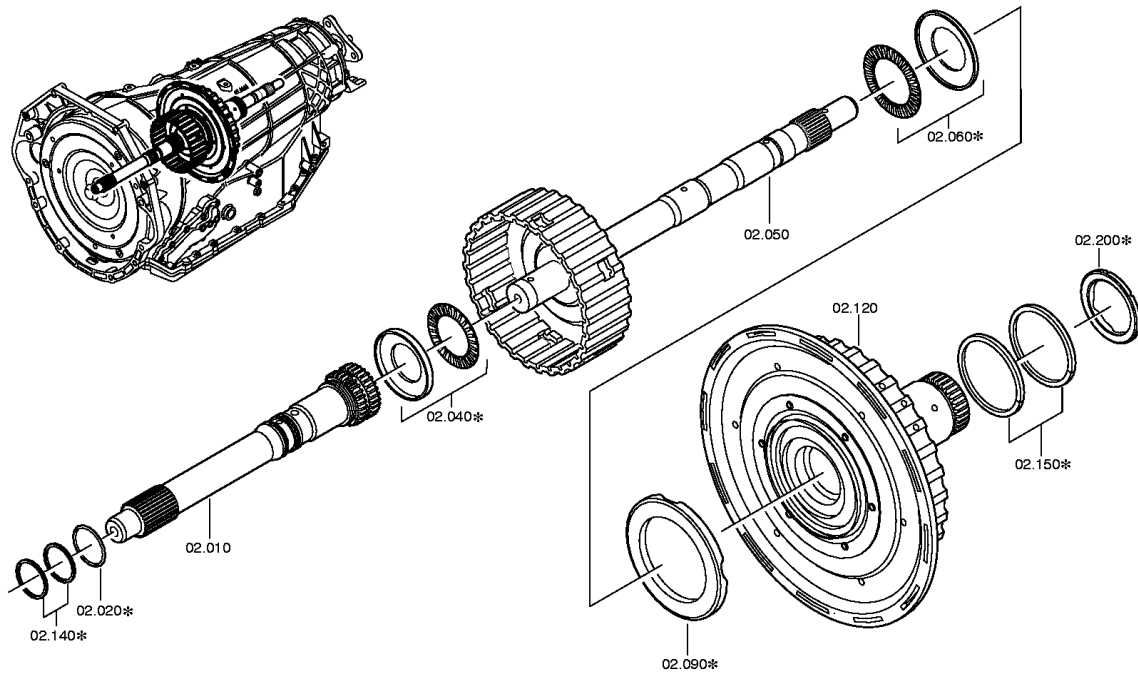


Note: Parts marked with * are only available in kits.



5HP30 Spare Parts – Input Group

Pos #	ZF Part #	Description	Qty	Where used (1055 000 ___)	Notes
02.010	1055 202 036	Input Shaft	1	All	
02.020	0734 313 032	O-Ring	1	All	* Available in kit 1055 298 019
02.040	1055 202 031	Bearing Set	1	All	* Available in kit 5HP30BRGK
02.050	1055 202 027	Intermediate Sheet	1	All	
02.060	1055 202 033	Bearing Set	1	All	* Available in kit 5HP30BRGK
02.090	0750 115 378	Axial Needle Bearing	1	All	* Available in kit 5HP30BRGK
02.120	1055 202 035	Sun Gear Shaft	1	All	
02.140	0734 401 241	Sealing Ring	2	All	* Available in kit 1055 298 019
02.150	0734 401 248	Piston Ring	2	All	* Available in kit 1055 298 019
02.200	0750 115 378	Axial Needle Bearing	1	All	* Available in kit 5HP30BRGK

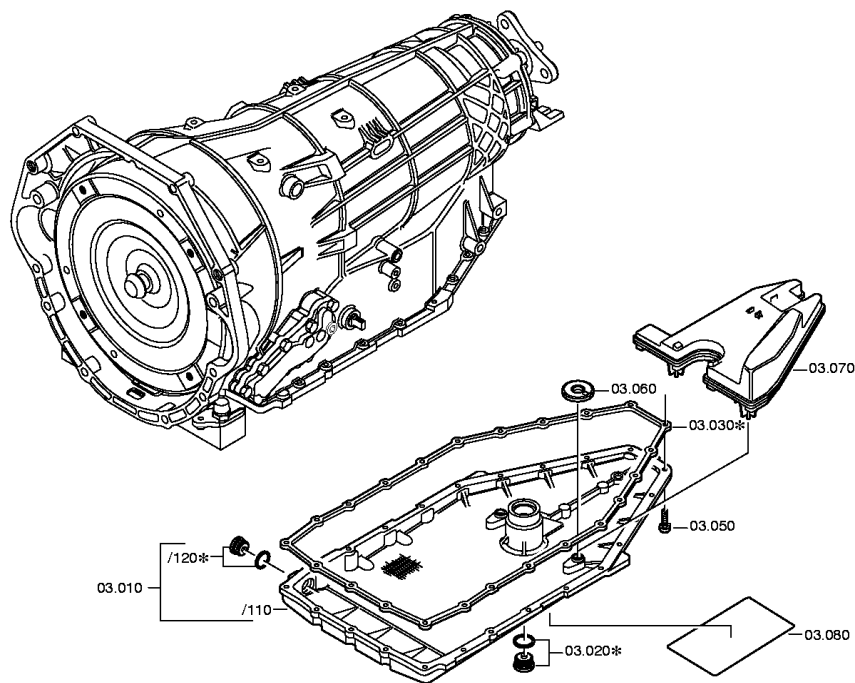


Note: Parts marked with * are only available in kits.



5HP30 Spare Parts – Oil Sump Group

Pos #	ZF Part #	Description	Qty	Where used (1055 000 ___)	Notes
03.010	1055 203 001	Oil Sump	1	010/011/029/030	
	1055 203 002	Oil Sump	1	017/026/027/028/031/ 032/039/040	
03.010/110	1055 303 023	Oil Sump	1	010/011/029/030	
	1055 303 025	Oil Sump	1	017/026/027/028/031/ 032/039/040	
03.010/120	0736 302 023	Screw Plug M24x1.5	1	All	* Available in kit 1055 298 019
	0634 801 206	Sealing Ring	1	All	* Available in kit 5HP30FK
03.020	0636 302 066	Screw Plug M30x1.5	1	All	* Available in kit 1055 298 019
	0634 801 097	Sealing Ring	1	All	* Available in kit 5HP30FK
03.030	0750 112 155	Gasket	1	All	* Available in kit 1055 298 019 * Available in kit 5HP30FK
03.050	0736 101 194	Torx Screw M6x25	23	All	
03.060	0750 101 118	Magnet	1	All	
03.070	0501 208 640	Oil Tank	1	All	
03.080	0501 315 497	Stick-On-Label	1	010/011/017/026/029/ 030/031/032/040	

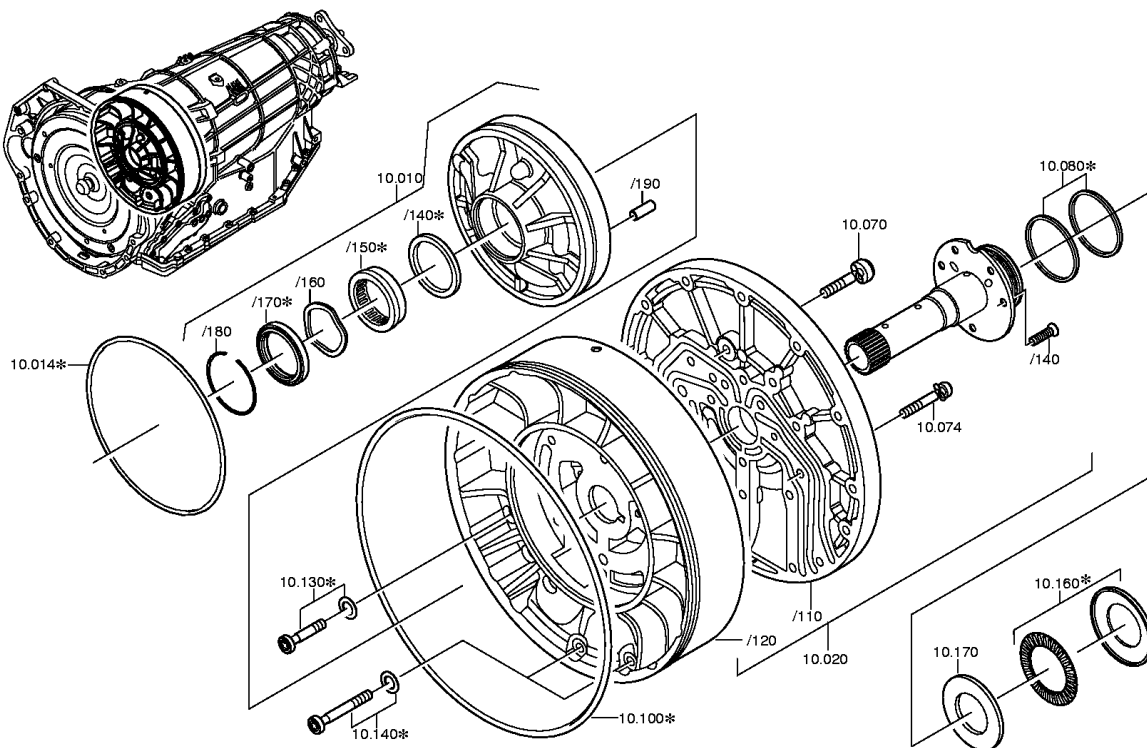


Note: Parts marked with * are only available in kits.



5HP30 Spare Parts - Oil Supply Group

Pos #	ZF Part #	Description	Qty	Where used (1055 000 ___)	Notes
10.010	1055 210 049	Pump	1	All	
10.010/140	1055 310 039	Sealing Ring	1	All	* Available in kit 1055 298 019
10.010/150	0735 298 136	Needle Bearing	1	All	* Available in kit 5HP30BRGK
10.010/160	0501 316 234	Washer	1	All	
10.010/170	0750 111 254	Shaft Seal	1	All	* Available in kit 1055 298 019
10.010/180	0730 513 545	Snap Ring	1	All	
10.010/190	1043 319 058	Sleeve	1	All	
10.014	0734 313 095	O-Ring	1	All	* Available in kit 1055 298 019
10.020	1055 210 041	Intermediate Plate	1	All	
10.020/110	1055 210 028	Intermediate Plate	1	All	
10.020/120	1055 310 036	Centering Plate	1	All	
10.020/140	0736 401 055	Counters. Screw M6x26	5	All	
10.070	0736 101 122	Torx Screw M6x40	9	All	
10.074	0736 101 060	Torx Screw M5x50	1	All	
10.080	0734 401 248	Piston Ring	2	All	* Available in kit 1055 298 019
10.100	0734 313 098	O-Ring	1	All	* Available in kit 1055 298 019
10.130	0736 101 161	Torx Screw M6x40	12	All	
	0750 112 076	Usit Ring	12	All	* Available in kit 1055 298 019
10.140	0736 101 165	Torx Screw M6x65	2	All	
	0750 112 076	Usit Ring	2	All	* Available in kit 1055 298 019
10.160	1055 202 033	Bearing Set	1	All	* Available in kit 5HP30BRGK
10.170	See Page 32	Intermediate Plate Shim	1	All	

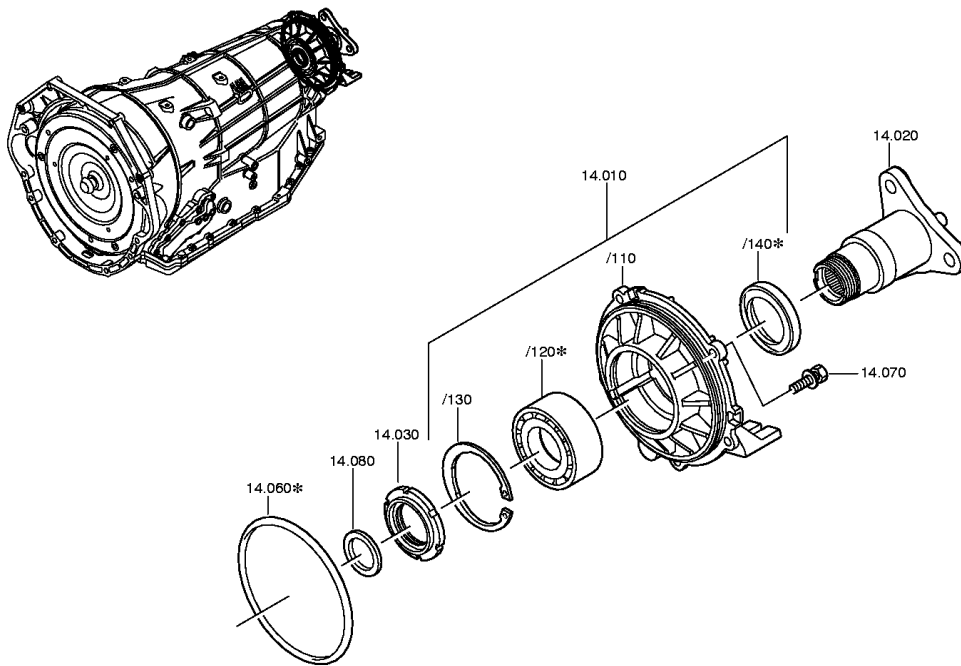


Note: Parts marked with * are only available in kits.



5HP30 Spare Parts – Output Group

Pos #	ZF Part #	Description	Qty	Where used (1055 000 ___)	Notes
14.010	1055 214 017	Extension	1	All	
14.010/110	1055 314 011	Extension	1	All	
14.010/120	0735 340 153	Output Bearing	1	All	* Available in kit 5HP30BRGK
14.010/130	0630 502 041	Retaining Ring	1	All	
14.010/140	0750 111 243	Shaft Seal	1	All	* Available in kit 1055 298 019
14.020	1055 314 029	Output Flange	1	039	
	1058 314 011	Output Flange	1	010/011/017/026/027/ 028/029/030/031/032/ 040	
14.030	0737 502 175	Slotted Nut M45x1.5	1	All	
14.060	0734 313 097	O-Ring	1	All	* Available in kit 1055 298 019
14.070	0636 024 008	Hexagon Screw M8x25	5	All	
14.080	See Page 32	Output Shim	1	All	Selective Shim

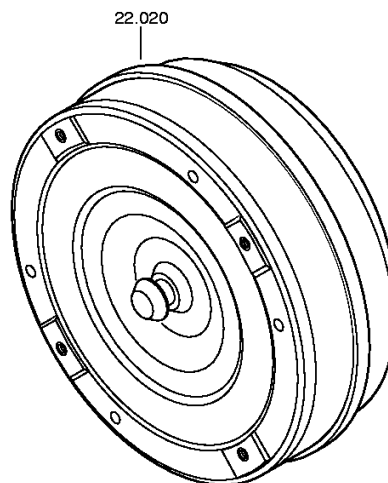
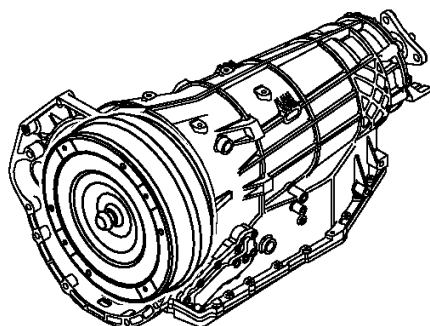


Note: Parts marked with * are only available in kits.



5HP30 Spare Parts – Converter Group

Pos #	ZF Part #	Description	Qty	Where used (1055 000 ___)	Notes
22.020	4168 028 213	Torque Converter U23	1	017/027/028/032/039/ 040	
	4168 028 221	Torque Converter T26	1	010/011/026/029/030/ 031	

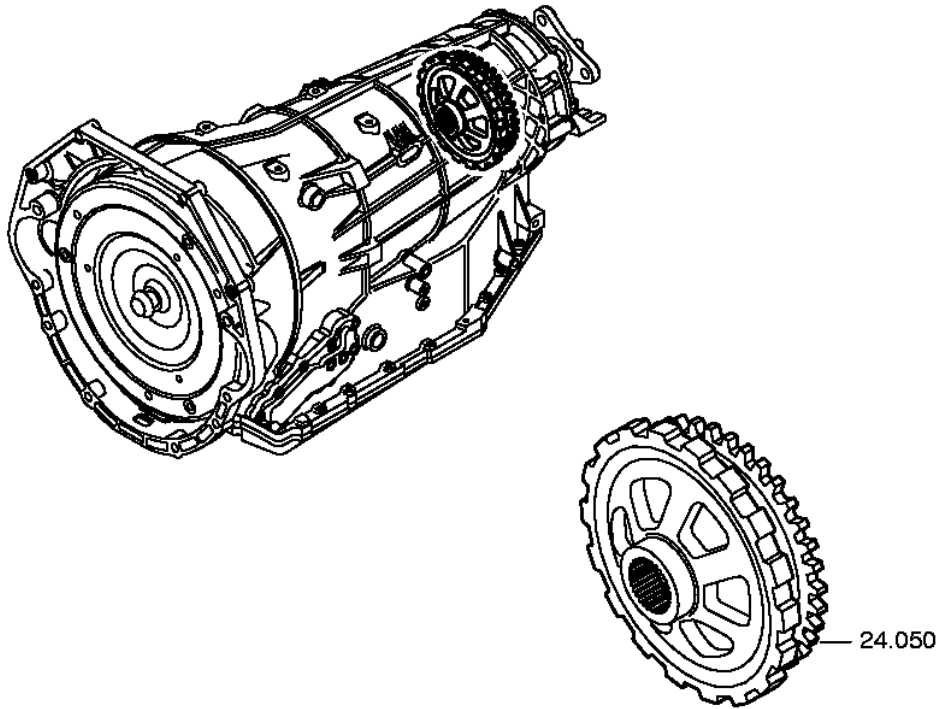


Note: Parts marked with * are only available in kits.



5HP30 Spare Parts – Parking Lock Group

Pos #	ZF Part #	Description	Qty	Where used (1055 000 ___)	Notes
24.050	1055 224 009	Parking Lock Wheel	1	All	

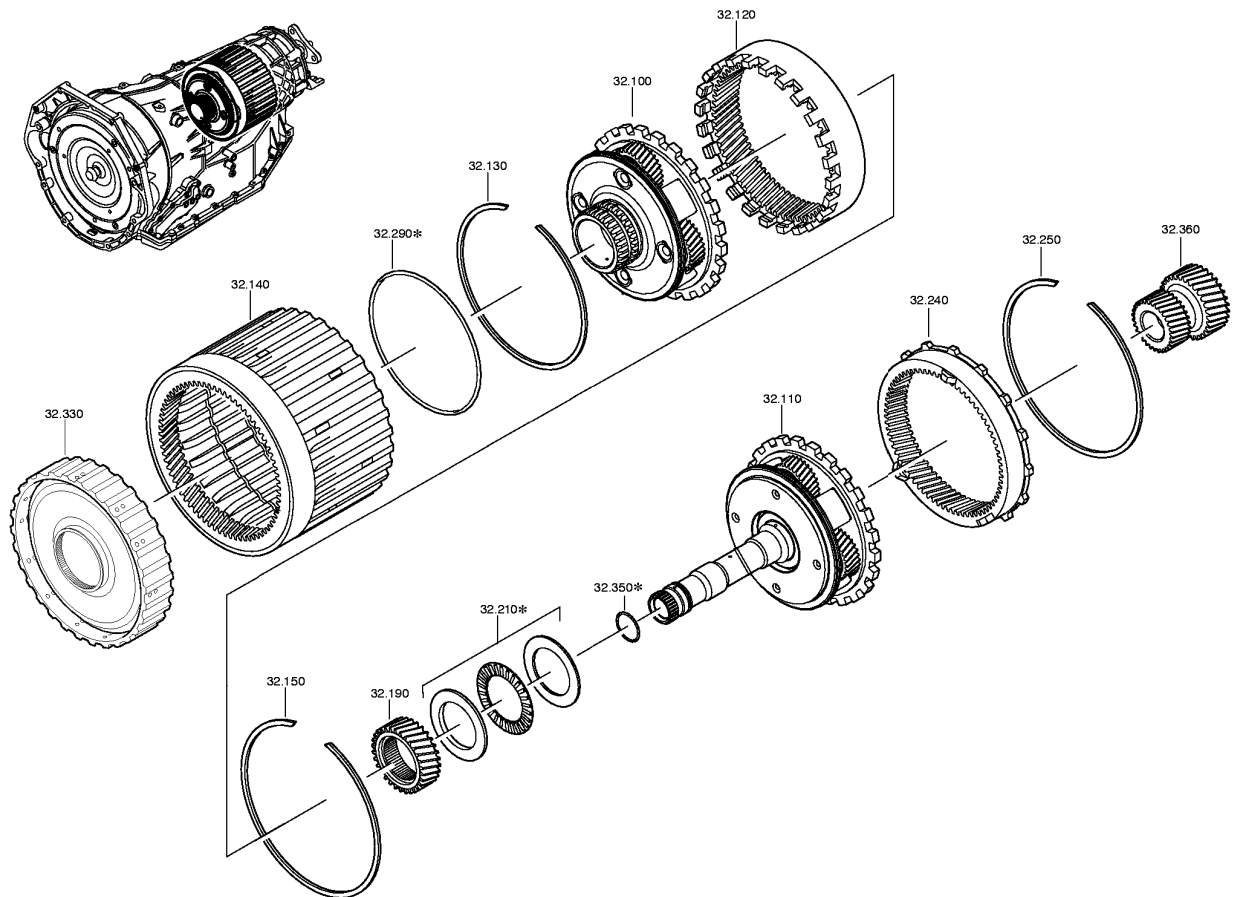


Note: Parts marked with * are only available in kits.



5HP30 Spare Parts – Planetary Drive Groups

Pos #	ZF Part #	Description	Qty	Where used (1055 000 ___)	Notes
32.100	1055 232 062	Planet Carrier	1	All	
32.110	1055 232 079	Planet Carrier	1	All	
32.120	1055 332 078	Ring Gear	1	All	
32.130	1055 332 031	Snap Ring	1	All	
32.140	1055 232 050	Ring Gear	1	All	
32.150	1055 332 032	Snap Ring	1	All	
32.190	1055 332 075	Sun Gear	1	All	
32.210	1055 232 081	Bearing Set	1	All	* Available in kit 5HP30BRGK
32.240	1055 332 096	Ring Gear	1	All	
32.250	1055 332 032	Snap Ring	1	All	
32.290	0734 313 094	O-Ring	1	All	* Available in kit 1055 298 019
32.330	1055 375 009	Disc Carrier E2	1	All	
32.350	0734 313 093	O-Ring	1	All	* Available in kit 1055 298 019
32.360	1055 332 060	Sun Gear	1	All	

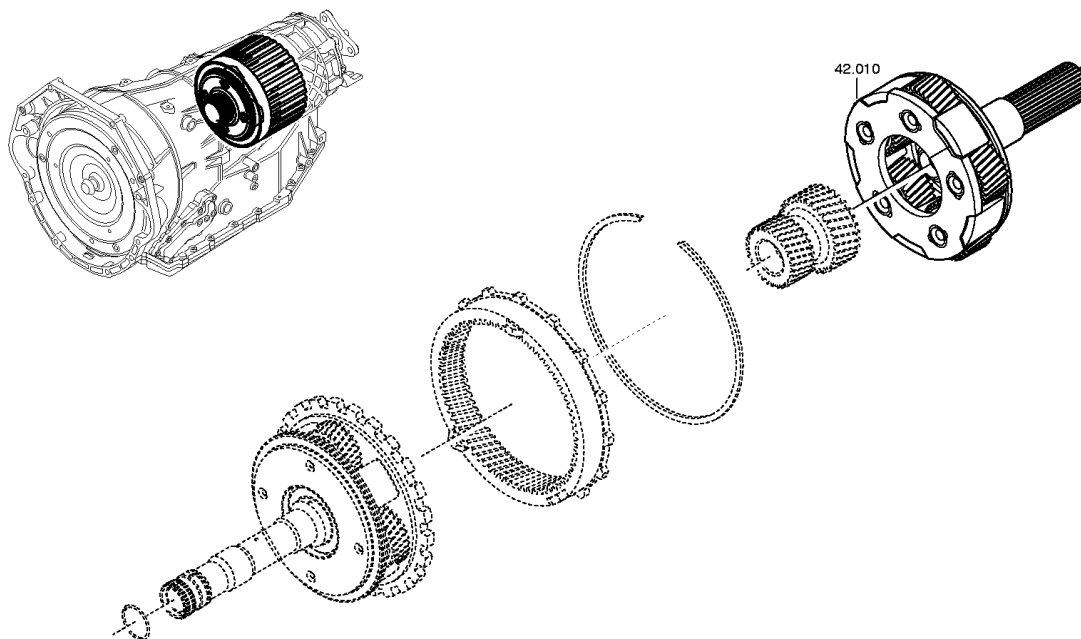


Note: Parts marked with * are only available in kits.



5HP30 Spare Parts – Planetary Drive Groups (continued)

Pos #	ZF Part #	Description	Qty	Where used (1055 000 ___)	Notes
42.010	1055 232 090	Planet Carrier	1	All	

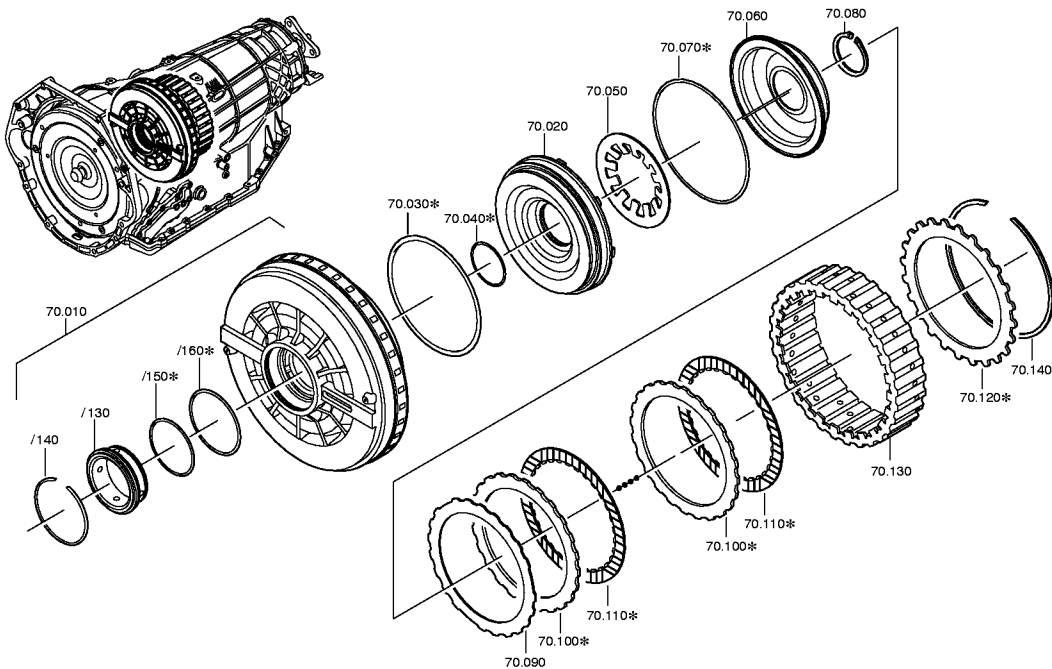


Note: Parts marked with * are only available in kits.



5HP30 Spare Parts – Clutch Pack Groups

Pos #	ZF Part #	Description	Qty	Where used (1055 000 ___)	Notes
70.010	1055 270 075	Cylinder A+C	1	All	
70.010/130	1055 370 077	Bush	1	All	
70.010/140	0730 513 551	Snap Ring	1	All	
70.010/150	0734 313 024	O-Ring	1	All	* Available in kit 1055 298 019
70.010/160	0734 313 029	O-Ring	1	All	* Available in kit 1055 298 019
70.020	1055 370 064	Piston A	1	All	
70.030	0734 313 117	O-Ring	1	All	* Available in kit 1055 298 019
70.040	0734 313 023	O-Ring	1	All	* Available in kit 1055 298 019
70.050	0501 313 571	Cup Spring	1	All	
70.060	1055 370 093	Oil Dam	1	All	
70.070	0734 313 117	O-Ring	1	All	* Available in kit 1055 298 019
70.080	0730 501 445	Retaining Ring	1	All	
70.090	1055 370 088	Spring Clutch Disc	1	All	
70.100	1055 370 089	Steel Plate A	5	All	* Available in kit 1055 298 027
70.110	1055 270 030	Friction Plate A	5	010/011/029/030/031	* Available in kit 1055 298 024
	1055 270 069	Friction Plate A	5	026	* Available in kit 1055 298 026
	1055 270 072	Friction Plate A	5	017/027/028/032/039/040	* Available in kit 1055 298 025
70.120	1055 370 090	End Plate A	1	All	* Available in kit 1055 298 027
70.130	1055 370 052	Disc Carrier B	1	All	
70.140	See Page 32	Set of Snap Rings	1	All	

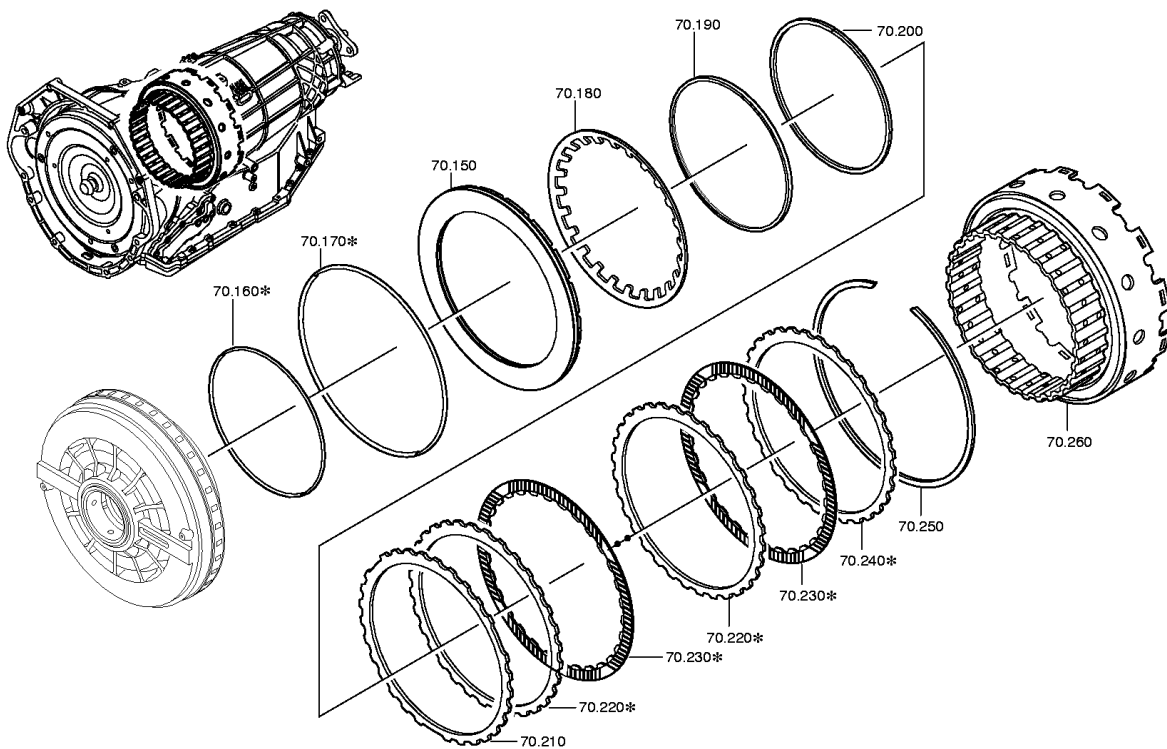


Note: Parts marked with * are only available in kits.



5HP30 Spare Parts – Clutch Pack Groups (continued)

Pos #	ZF Part #	Description	Qty	Where used (1055 000 ___)	Notes
70.150	1055 370 083	Piston C	1	All	
70.160	0734 313 115	O-Ring	1	All	* Available in kit 1055 298 019
70.170	0734 313 116	O-Ring	1	All	* Available in kit 1055 298 019
70.180	0501 313 572	Cup Spring	1	All	
70.190	1055 370 070	Fixing Washer	1	All	
70.200	1055 370 040	Snap Ring	1	All	
70.210	1055 372 008	Spring Clutch Disc	1	All	
70.220	1055 371 003	Steel Plate C	3	All	* Available in kit 1055 298 027
70.230	1055 271 025	Friction Plate C	3	010/011/029/030/031	* Available in kit 1055 298 024
	1055 271 053	Friction Plate C	3	026	* Available in kit 1055 298 026
	1055 271 054	Friction Plate C	3	017/027/028/032/039/040	* Available in kit 1055 298 025
70.240	1055 370 095	End Plate C	1	All	* Available in kit 1055 298 027
70.250	See Page 33	Clutch C Snap Ring	1	All	Selective Snap Ring
70.260	1055 270 063	Disc Carrier	1	All	

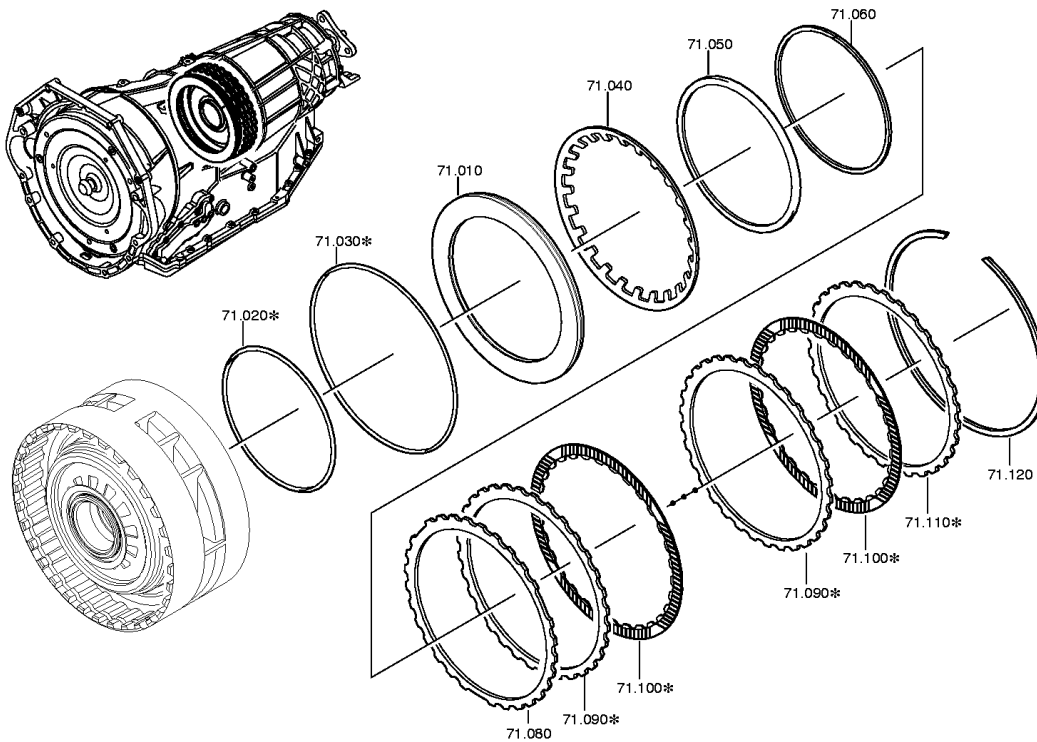


Note: Parts marked with * are only available in kits.



5HP30 Spare Parts – Clutch Pack Groups (continued)

Pos #	ZF Part #	Description	Qty	Where used (1055 000 ___)	Notes
71.010	1055 370 084	Piston E2	1	All	
71.020	0734 313 115	O-Ring	1	All	* Available in kit 1055 298 019
71.030	0734 313 116	O-Ring	1	All	* Available in kit 1055 298 019
71.040	0501 313 572	Cup Spring	1	All	
71.050	1055 370 070	Fixing Washer	1	All	
71.060	1055 370 040	Snap Ring	1	All	
71.080	1055 372 008	Spring Clutch Disc	1	All	
71.090	1055 371 003	Steel Plate E2	4	010/011/029/030/031	* Available in kit 1055 298 027
	1055 371 003	Steel Plate E2	3	017/026/027/028/032/039/040	* Available in kit 1055 298 027
71.100	1055 271 025	Friction Plate E2	4	010/011/029/030/031	* Available in kit 1055 298 024
	1055 271 053	Friction Plate E2	3	026	* Available in kit 1055 298 026
	1055 271 054	Friction Plate E2	3	017/027/028/032/039/040	* Available in kit 1055 298 025
71.110	1055 371 003	End Plate E2	1	All	* Available in kit 1055 298 027
71.120	See Page 33	Clutch E2 Snap Ring	1	All	Selective Snap Ring

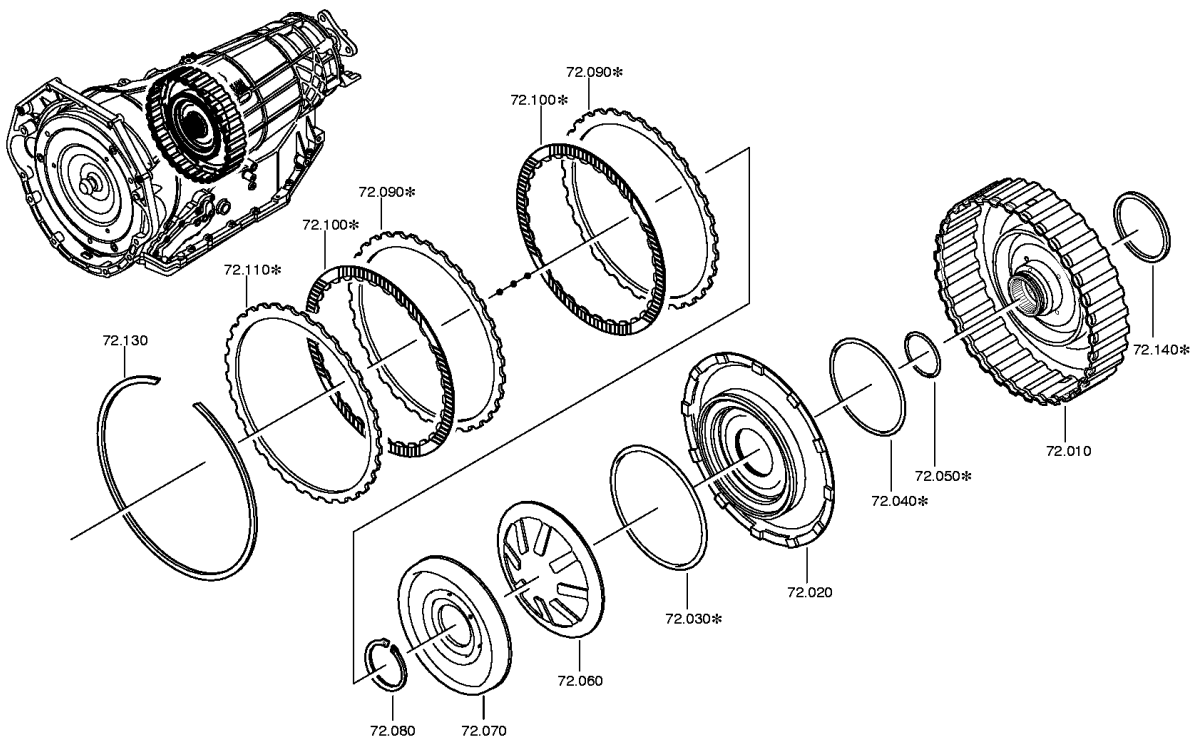


Note: Parts marked with * are only available in kits.



5HP30 Spare Parts – Clutch Pack Groups (continued)

Pos #	ZF Part #	Description	Qty	Where used (1055 000 ___)	Notes
72.010	1055 271 043	Cylinder B	1	017/027/028/032/039/ 040	
	1055 271 044	Cylinder B	1	010/011/026/029/030/ 031	
72.020	1055 371 051	Piston B	1	All	
72.030	0734 313 117	O-Ring	1	All	* Available in kit 1055 298 019
72.040	0734 313 027	O-Ring	1	All	* Available in kit 1055 298 019
72.050	0734 313 118	O-Ring	1	All	* Available in kit 1055 298 019
72.060	0501 313 575	Cup Spring	1	All	
72.070	1055 371 043	Oil Dam B	1	All	
72.080	0730 501 445	Retaining Ring	1	All	
72.090	1055 371 003	Steel Plate B	5	010/011/026/029/030/ 031	* Available in kit 1055 298 027
	1055 371 003	Steel Plate B	6	017/026/027/028/032/ 039/040	* Available in kit 1055 298 027
72.100	1055 271 025	Friction Plate B	5	010/011/029/030/031	* Available in kit 1055 298 024
	1055 271 053	Friction Plate B	5	026	* Available in kit 1055 298 026
	1055 271 054	Friction Plate B	6	017/027/028/032/039/ 040	* Available in kit 1055 298 025
72.110	1055 371 003	End Plate B	1	All	* Available in kit 1055 298 027
72.130	See Page 33	Clutch B Snap Ring	1	All	Selective Snap Ring
72.140	0734 317 217	Piston Ring	1	All	* Available in kit 1055 298 019

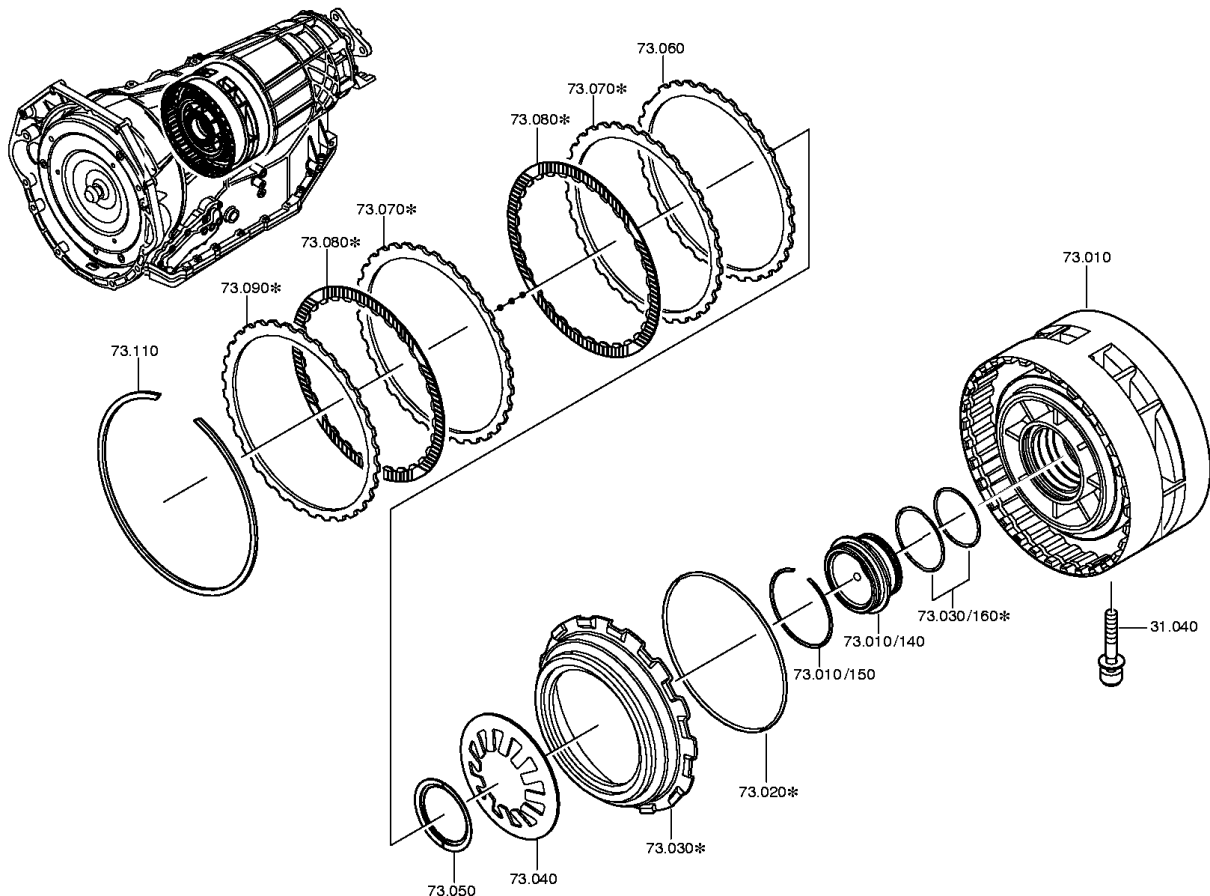


Note: Parts marked with * are only available in kits.



5HP30 Spare Parts – Clutch Pack Groups (continued)

Pos #	ZF Part #	Description	Qty	Where used (1055 000 ___)	Notes
31.040	0736 101 177	Torx Screw M10x45	3	All	
73.010	1055 273 033	Cylinder D+E	1	010/011/026/029/030/ 031	
	1055 273 035	Cylinder D+E	1	017/027/028/032/039/ 040	
73.010/140	1055 373 021	Bush	1	All	
73.010/150	0630 513 007	Snap Ring	1	All	
73.020	0734 313 114	O-Ring	1	All	* Available in kit 1055 298 019
73.030	0750 132 082	Piston D	1	All	* Available in kit 1055 298 030
73.030/160	0734 313 024	O-Ring	2	All	* Available in kit 1055 298 019
73.040	0501 313 570	Cup Spring	1	All	
73.050	1055 374 013	Stop Ring	1	All	
73.060	1055 372 008	Spring Clutch Disc	1	All	
73.070	1055 371 003	Steel Plate D	5	All	* Available in kit 1055 298 027
73.080	1055 271 025	Friction Plate D	5	010/011/029/030/031	* Available in kit 1055 298 024
	1055 271 053	Friction Plate D	5	026	* Available in kit 1055 298 026
	1055 271 054	Friction Plate D	5	017/027/028/032/039/ 040	* Available in kit 1055 298 025
73.090	1055 371 003	End Plate D	1	All	* Available in kit 1055 298 027
73.110	See Page 33	Clutch D Snap Ring	1	All	Selective Snap Ring

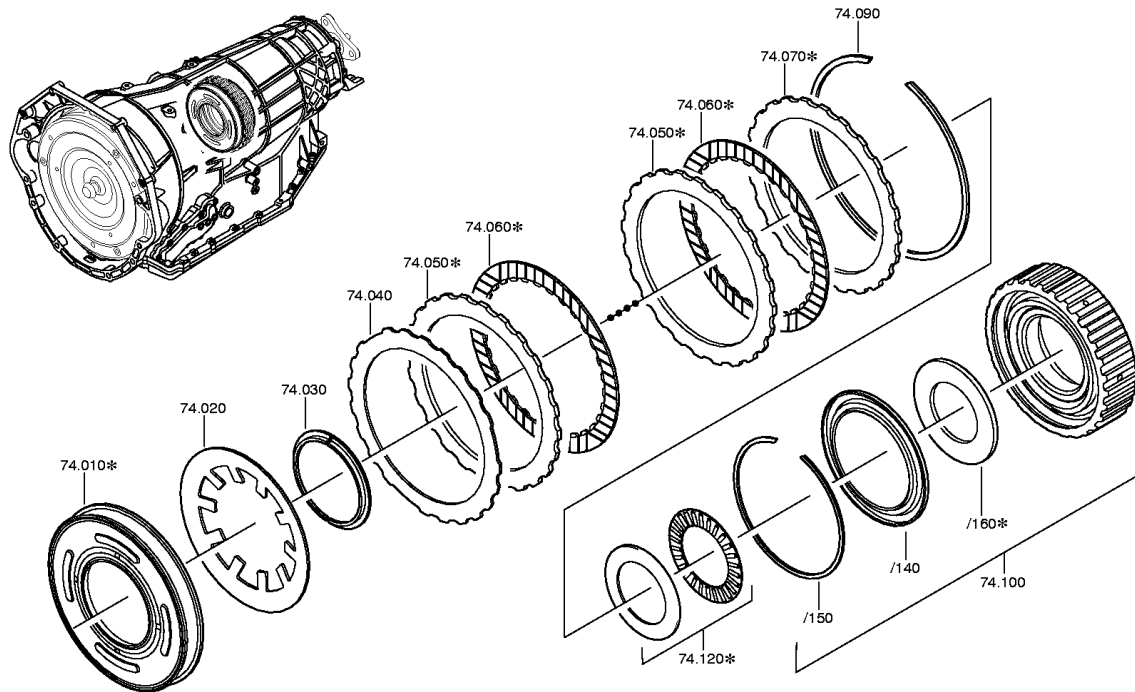


Note: Parts marked with * are only available in kits.



5HP30 Spare Parts – Clutch Pack Groups (continued)

Pos #	ZF Part #	Description	Qty	Where used (1055 000 ____)	Notes
74.010	0750 132 086	Piston E1	1	All	* Available in kit 1055 298 030
74.020	0501 313 574	Cup Spring	1	All	
74.030	1055 374 013	Stop Ring	1	All	
74.040	1055 370 088	Spring Clutch Disc	1	010/011/029/030/031	
74.050	1055 374 024	Steel Plate E1	5	010/011/029/030/031	* Available in kit 1055 298 027
	1055 374 024	Steel Plate E1	6	017/026/027/028/032/ 039/040	* Available in kit 1055 298 027
74.060	1055 270 030	Friction Plate E1	5	010/011/029/030/031	* Available in kit 1055 298 024
	1055 270 069	Friction Plate E1	6	026	* Available in kit 1055 298 026
	1055 270 072	Friction Plate E1	6	017/027/028/032/039/ 040	* Available in kit 1055 298 025
74.070	1055 370 089	End Plate E1	1	All	* Available in kit 1055 298 027
74.090	See Page 32	Clutch E1 Snap Ring	1	All	Selective Snap Ring
74.100	1055 274 021	Free Wheel	1	All	
74.100/140	1055 374 023	Fixing Washer	1	All	
74.100/150	1055 374 018	Snap Ring	1	All	
74.100/160	1055 331 016	Axial Washer	1	All	* Available in kit 5HP30BRGK
74.120	1055 274 023	Bearing Set	1	All	* Available in kit 5HP30BRGK

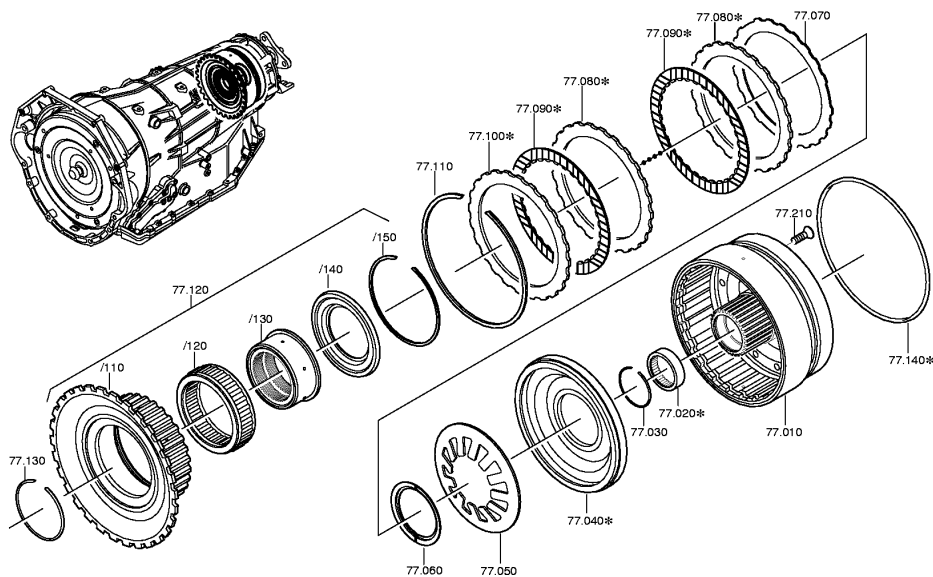


Note: Parts marked with * are only available in kits.



5HP30 Spare Parts – Clutch Pack Groups (continued)

Pos #	ZF Part #	Description	Qty	Where used (1055 000 ___)	Notes
77.010	1055 276 045	Cylinder F	1	All	
77.020	0635 303 058	Needle Sleeve	1	All	* Available in kit 5HP30BRGK
77.030	0630 513 037	Snap Ring	1	All	
77.040	0750 132 072	Piston F	1	All	* Available in kit 1055 298 030
77.050	0501 313 573	Cup Spring	1	All	
77.060	1055 376 025	Split Ring	1	All	
77.070	1055 370 088	Spring Clutch Disc	1	All	
77.080	1055 374 024	Steel Plate F	6	All	* Available in kit 1055 298 027
77.090	1055 270 030	Friction Plate F	6	010/011/029/030/031	* Available in kit 1055 298 024
	1055 270 069	Friction Plate F	6	026	* Available in kit 1055 298 026
	1055 270 072	Friction Plate F	6	017/027/028/032/039/040	* Available in kit 1055 298 025
77.100	1055 376 052	End Plate F	1	010/011/026/029/030/031	* Available in kit 1055 298 027
	1055 376 054	End Plate F	1	017/027/028/032/039/040	
77.110	See Page 33	Clutch F Snap Ring	1	All	Selective Snap Ring
77.120	1055 276 061	Free Wheel	1	010/011/029/030/031	
	1055 276 062	Free Wheel	1	017/027/028/032/039/040	
77.120/110	1055 276 046	Free Wheel Ring	1	010/011/029/030/031	
	1055 276 055	Free Wheel Ring	1	017/027/028/032/039/040	
77.120/120	0501 209 988	Free Wheel	1	All	
77.120/130	1055 376 037	Free Wheel Ring	1	All	
77.120/140	1055 376 039	Fixing Washer	1	All	
77.120/150	1055 376 034	Snap Ring	1	All	
77.130	0630 503 028	Snap Ring	1	All	
77.140	0734 313 096	O-Ring	1	All	* Available in kit 1055 298 019
77.210	0736 401 054	Counters. Screw M8x24	12	All	



Note: Parts marked with * are only available in kits.



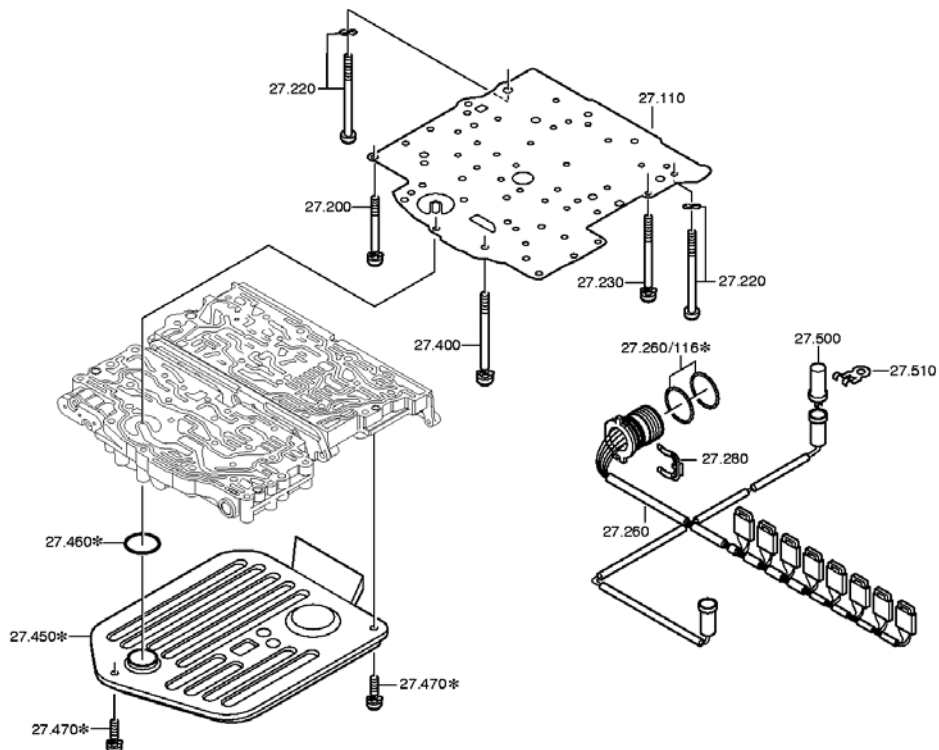
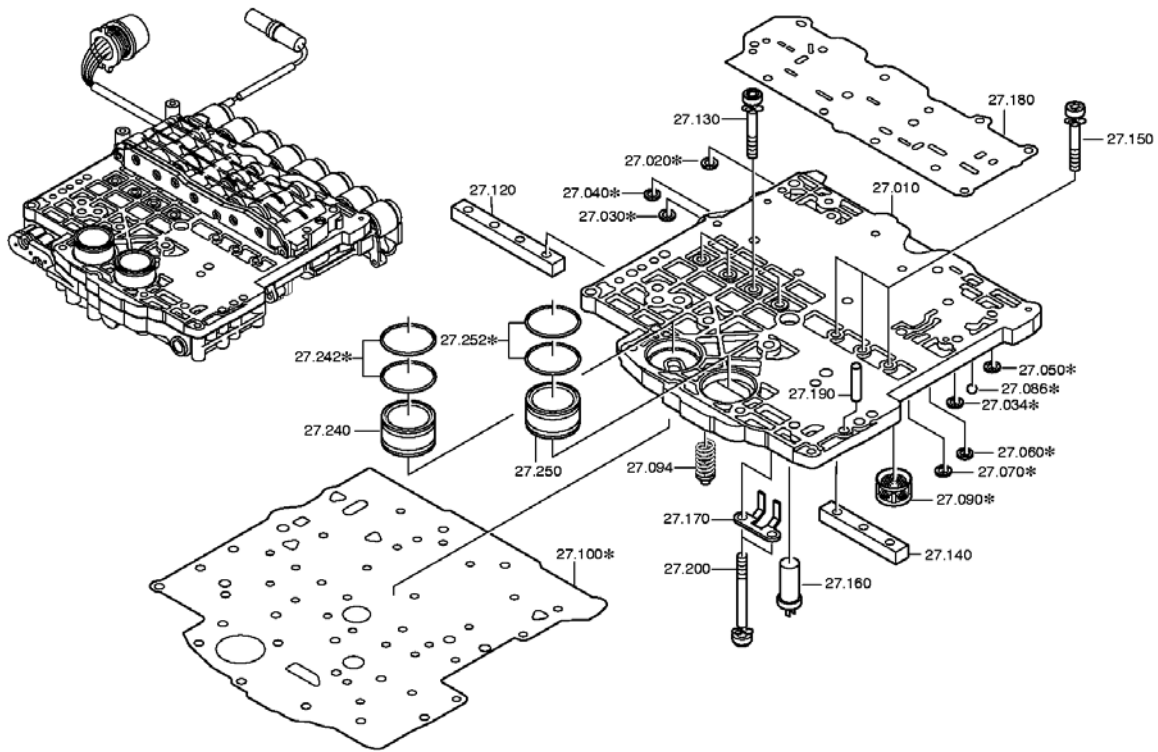
5HP30 Valve Body – Duct Plate Group

Pos #	ZF Part #	Description	Qty	Where used (1055 000 ____)	Notes
27.010	1055 327 123	Duct Plate	1	All	
27.020	1056 327 019	Valve Orifice D=1.0	1	All	* Available in kit 5HP30VBK
27.030	1056 327 039	Valve Orifice D=1.7	1	All	* Available in kit 5HP30VBK
27.034	1056 327 021	Valve Orifice D=1.5	1	All	* Available in kit 5HP30VBK
27.040	1056 327 020	Valve Orifice D=1.2	1	All	* Available in kit 5HP30VBK
27.050	1056 327 019	Valve Orifice D=1.0	1	All	* Available in kit 5HP30VBK
27.060	1056 327 020	Valve Orifice D=1.2	1	All	* Available in kit 5HP30VBK
27.070	1056 327 020	Valve Orifice D=1.2	1	All	* Available in kit 5HP30VBK
27.086	1043 326 037	Ball	1	All	* Available in kit 5HP30VBK
27.090	0501 313 177	Screen	1	All	* Available in kit 5HP30VBK
27.094	1060 227 019	Valve	1	All	
27.100	1055 327 093	Gasket	1	010/011	* Available in kit 1055 298 019
	1055 327 102	Gasket	1	017/026/027/028/029/ 030/031/032/039/040	* Available in kit 5HP30VBK * Available in kit 1055 298 019 * Available in kit 5HP30VBK
27.110	1055 327 104	Intermediate Sheet	1	010/011/029/030/031	
	1055 327 118	Intermediate Sheet	1	017/026/027/028/032/ 039/040	
27.120	1055 327 049	Ledge	1	All	
27.130	0736 101 065	Torx Screw M5x22	4	All	
27.140	1055 327 050	Ledge	1	All	
27.150	0736 101 065	Torx Screw M5x22	3	All	
27.160	0501 310 401	Ind. Transmitter	1	All	
27.170	1055 327 122	Bracket	1	All	
27.180	1055 327 041	Intermediate Sheet	1	All	
27.190	0631 302 165	Cylindrical Pin	1	All	
27.200	0736 101 092	Torx Screw M5x40	15	All	
27.220	0736 101 090	Torx Screw M5x55	2	All	
	0630 302 103	Spring Washer	2	All	
27.230	0736 101 059	Torx Screw M5x55	10	All	
27.240	1055 327 085	Pipe	1	All	
27.242	0734 313 121	O-Ring	2	All	* Available in kit 1055 298 019
27.250	1055 327 085	Pipe	1	All	
27.252	0734 313 121	O-Ring	2	All	* Available in kit 1055 298 019
27.260	1055 227 021	Wiring Harness	1	All	
27.260/116	0501 209 253	O-Ring	2	All	* Available in kit 1055 298 019
					* Available in kit 5HP30VBK
27.280	1058 327 026	Retaining Clamp	1	All	
27.400	0736 101 211	Torx Screw M6x55	12	All	
27.450	0501 005 184	Filter	1	All	* Available in 1055 298 015 * Available in kit 5HP30FK
27.460	0734 313 181	O-Ring	1	All	* Available in kit 1055 298 015
					* Available in kit 1055 298 019
					* Available in kit 5HP30FK
27.470	0736 617 064	Torx Screw M5x14	2	All	* Available in 1055 298 015 * Available in kit 5HP30FK
27.500	0501 310 401	Ind. Transmitter	1	All	
27.510	1055 327 034	Bracket	1	All	

Note: Parts marked with * are only available in kits.



5HP19 Valve Body – Duct Plate Group (continued)

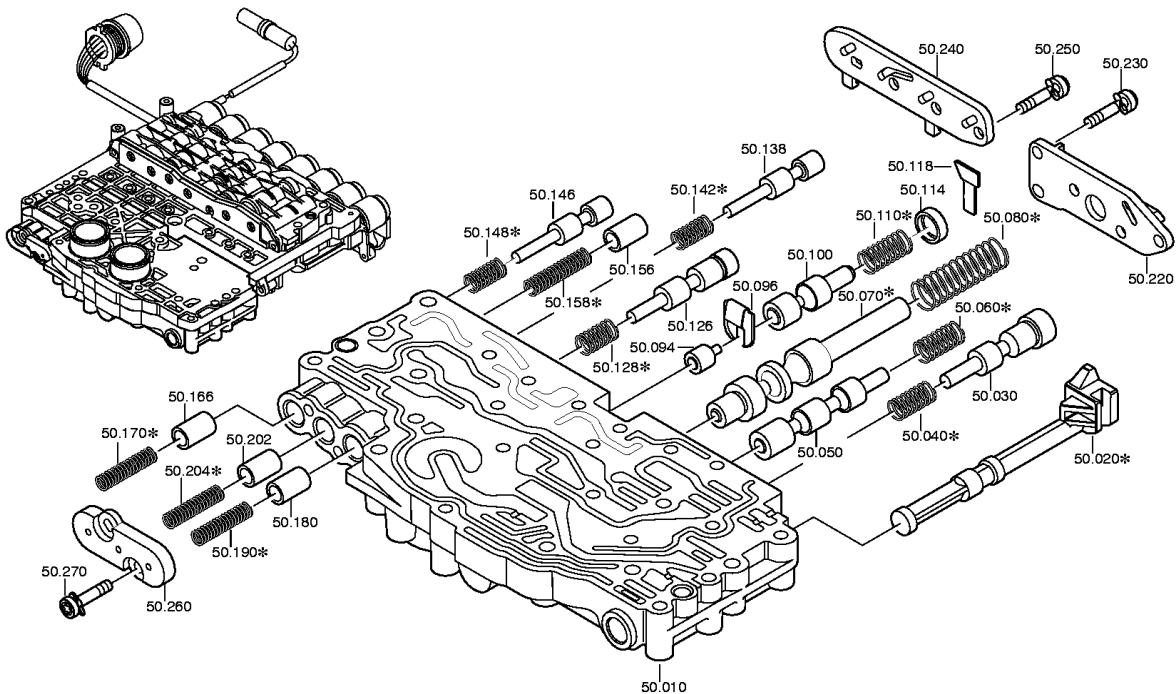


Note: Parts marked with * are only available in kits.



5HP30 Valve Body – Valve Housing Groups

Pos #	ZF Part #	Description	Qty	Where used (1055 000 ___)	Notes
50.010	1055 327 117 1058 327 020 1058 327 022	Valve Housing	1	010/011/029/030/031 017/026/027/032/040 028/039	
50.020	1056 327 173	Selector Shift Valve	1	All	* Available in kit 5HP30VBK
50.030	1055 327 080 1058 327 016 1058 327 024	Piston Piston Piston	1 1 1	010/011/029/030/031 017/026/027/032/040 028/039	
50.040	0732 042 430 0732 042 504 0732 042 534	Compression Spring Compression Spring Compression Spring	1 1 1	010/011/029/030/031 028/039 017/026/027/032/040	* Available in kit 5HP30VBK
50.050	1055 327 066 1058 327 044	Piston Piston	1 1	010/011/029/030/031 017/026/027/028/032/ 039/040	
50.060	0732 042 477	Compression Spring	1	All	* Available in kit 5HP30VBK
50.070	1058 327 030	Piston	1	All	* Available in kit 5HP30VBK
50.080	0732 042 381	Compression Spring	1	All	* Available in kit 5HP30VBK
50.094	1055 327 098	Piston	1	All	
50.096	1055 327 064	Stop Plate	1	All	
50.100	1055 327 052	Piston	1	All	
50.110	0732 041 550 0732 042 492	Compression Spring Compression Spring	1 1	010 011/017/026/027/028/ 029/030/031/032/039/ 040	* Available in kit 5HP30VBK * Available in kit 5HP30VBK
50.114	1055 327 101	Sealing Cap	1	All	

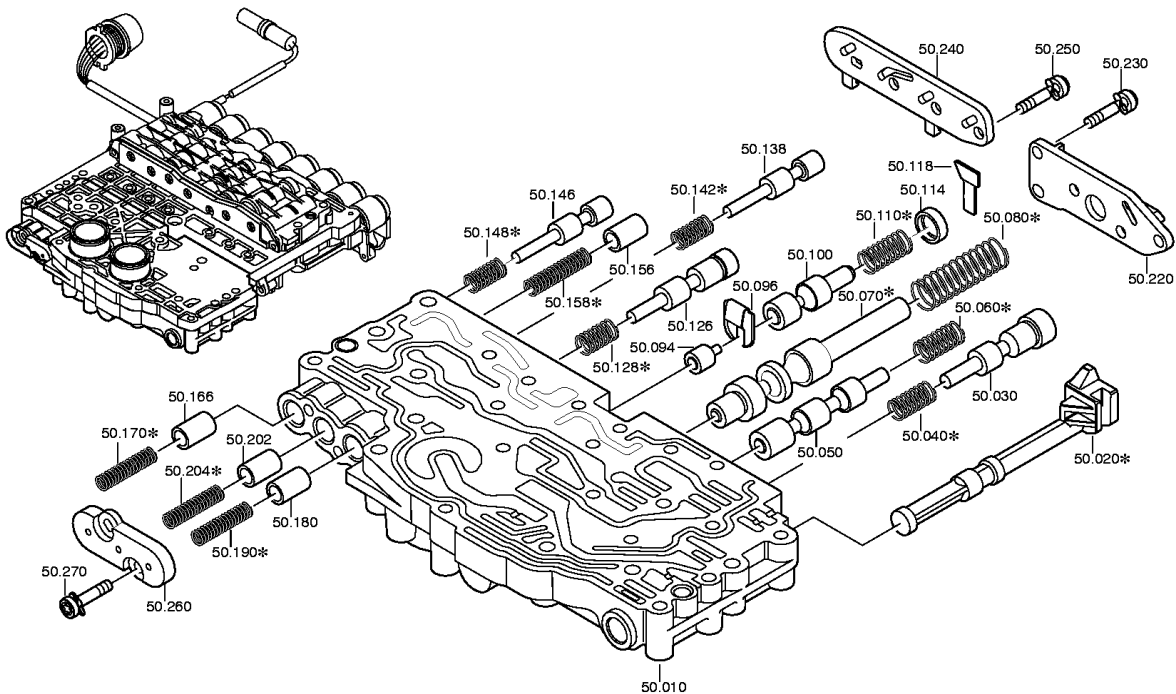


Note: Parts marked with * are only available in kits.



5HP30 Valve Body – Valve Housing Groups (continued)

Pos #	ZF Part #	Description	Qty	Where used (1055 000 ___)	Notes
50.118	1043 323 105	Support Plate	1	All	
50.126	1055 327 059	Piston	1	All	
50.128	0732 041 523	Compression Spring	1	All	* Available in kit 5HP30VBK
50.138	1043 326 169	Valve Spool	1	All	
50.142	0732 041 526	Compression Spring	1	All	* Available in kit 5HP30VBK
50.146	1043 326 169	Valve Spool	1	All	
50.148	0732 041 809	Compression Spring	1	All	* Available in kit 5HP30VBK
50.156	1043 326 289	Piston	1	All	
50.158	0732 042 561	Compression Spring	1	All	* Available in kit 5HP30VBK
50.166	1043 326 289	Piston	1	All	
50.170	0732 042 561	Compression Spring	1	All	* Available in kit 5HP30VBK
50.180	1043 326 289	Piston	1	All	
50.190	0732 042 561	Compression Spring	1	All	* Available in kit 5HP30VBK
50.202	1043 326 289	Piston	1	All	
50.204	0732 042 561	Compression Spring	1	All	* Available in kit 5HP30VBK
50.220	1055 327 043	Cover	1	All	
50.230	0736 101 094	Torx Screw M5x12	5	All	
50.240	1055 327 044	Cover	1	All	
50.250	0736 101 094	Torx Screw M5x12	4	All	
50.260	1058 327 021	Cover	1	All	
50.270	0736 101 094	Torx Screw M5x12	2	All	

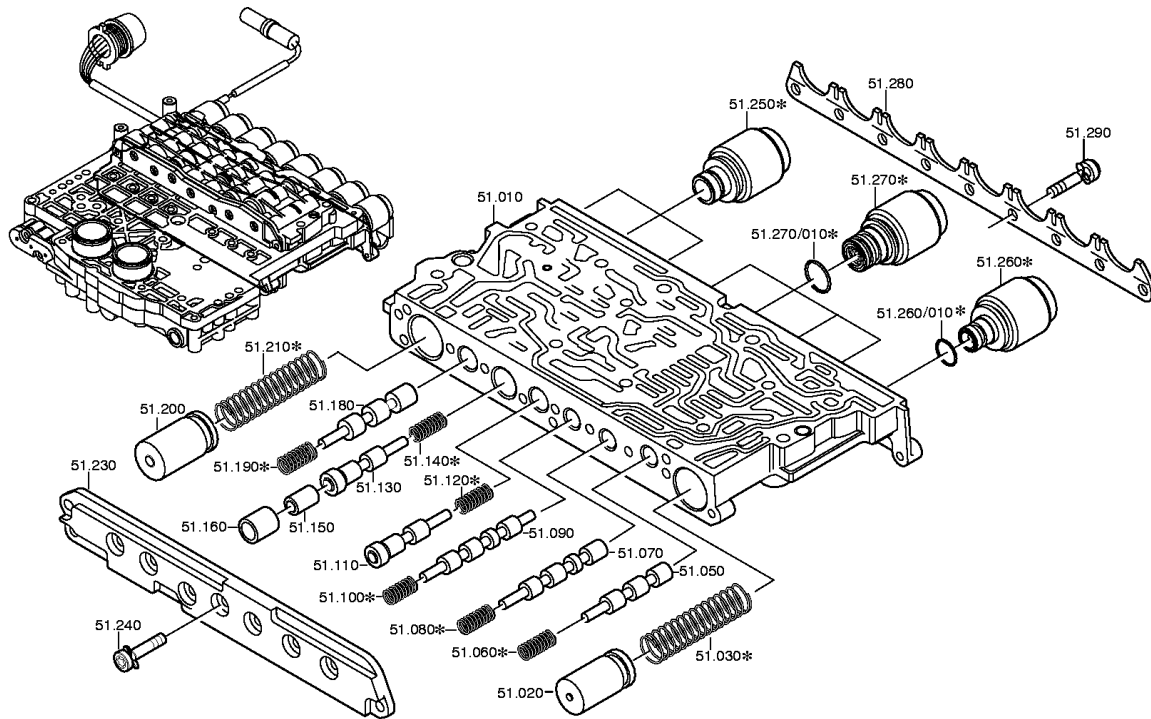


Note: Parts marked with * are only available in kits.



5HP30 Valve Body – Valve Housing Groups (continued)

Pos #	ZF Part #	Description	Qty	Where used (1055 000 ___)	Notes
51.010	1055 327 120	Valve Housing	1	010/011/029/030/031	
	1058 327 063	Valve Housing	1	017/026/027/028/032/ 039/040	
51.020	1058 327 017	Damper Piston	1	All	
51.030	0732 041 547	Compression Spring	1	All	* Available in kit 5HP30VBK
51.050	1056 327 028	Piston	1	All	
51.060	0732 041 462	Compression Spring	1	All	* Available in kit 5HP30VBK
51.070	1056 327 029	Gear Shift Slide	1	All	
51.080	0732 041 462	Compression Spring	1	All	* Available in kit 5HP30VBK
51.090	1055 327 023	Piston	1	All	
51.100	0732 041 826	Compression Spring	1	All	* Available in kit 5HP30VBK
51.110	1055 327 059	Piston	1	All	
51.120	0732 041 337	Compression Spring	1	All	* Available in kit 5HP30VBK
51.130	1055 327 058	Piston	1	All	
51.140	0732 041 462	Compression Spring	1	All	* Available in kit 5HP30VBK
51.150	1055 327 054	Piston	1	010/011/017/026/027/ 029/030/031/032/040	
	1055 327 127	Piston	1	028/039	

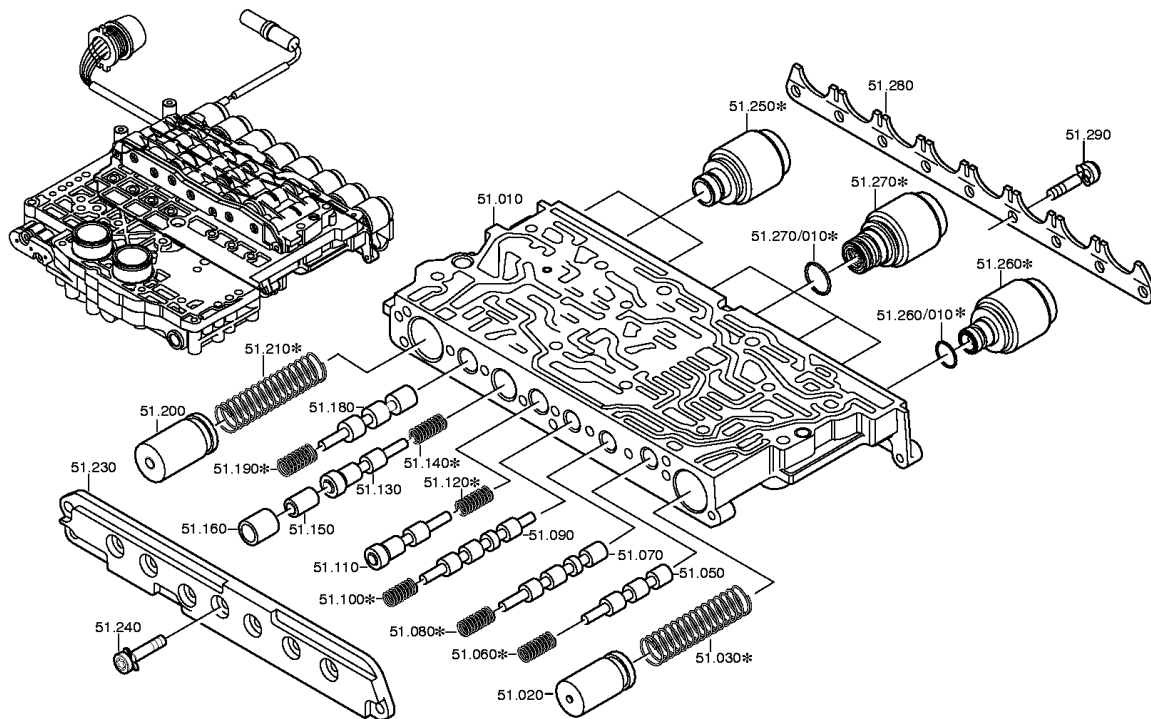


Note: Parts marked with * are only available in kits.



5HP30 Valve Body – Valve Housing Groups (continued)

Pos #	ZF Part #	Description	Qty	Where used (1055 000 ___)	Notes
51.160	1055 327 055	Bush	1	010/011/017/026/027/ 029/030/031/032/040	
	1055 327 129	Bush	1	028/039	
51.180	1056 327 001	Piston	1	All	
51.190	0732 041 606	Compression Spring	1	All	* Available in kit 5HP30VBK
51.200	1058 327 017	Damper Piston	1	All	
51.210	0732 041 547	Compression Spring	1	All	* Available in kit 5HP30VBK
51.230	1055 327 046	Cover	1	All	
51.240	0736 101 094	Torx Screw M5x12	10	All	
51.250	0750 132 122	Solenoid Valve	3	All	* Available in kit 1055 298 028 * Available in kit 1055 298 029
	0501 209 875	Pressure Regulator	1	017/026/027/028/032/ 039/040	* Available in kit 1055 298 028
51.260	0501 311 843	Pressure Regulator	1	010/011/029/030/031	* Available in kit 1055 298 029
	0734 313 120	O-Ring	1	All	* Available in kit 1055 298 019 * Available in kit 1055 298 028 * Available in kit 1055 298 029 * Available in kit 5HP30VBK
51.270	0501 210 061	Pressure Regulator	4	All	* Available in kit 1055 298 028 * Available in kit 1055 298 029
51.270/010	0734 313 134	O-Ring	4	All	* Available in kit 1055 298 019 * Available in kit 1055 298 028 * Available in kit 1055 298 029 * Available in kit 5HP30VBK
51.280	1055 327 051	Fixing Plate	1	All	
51.290	0736 101 094	Torx Screw M5x12	9	All	

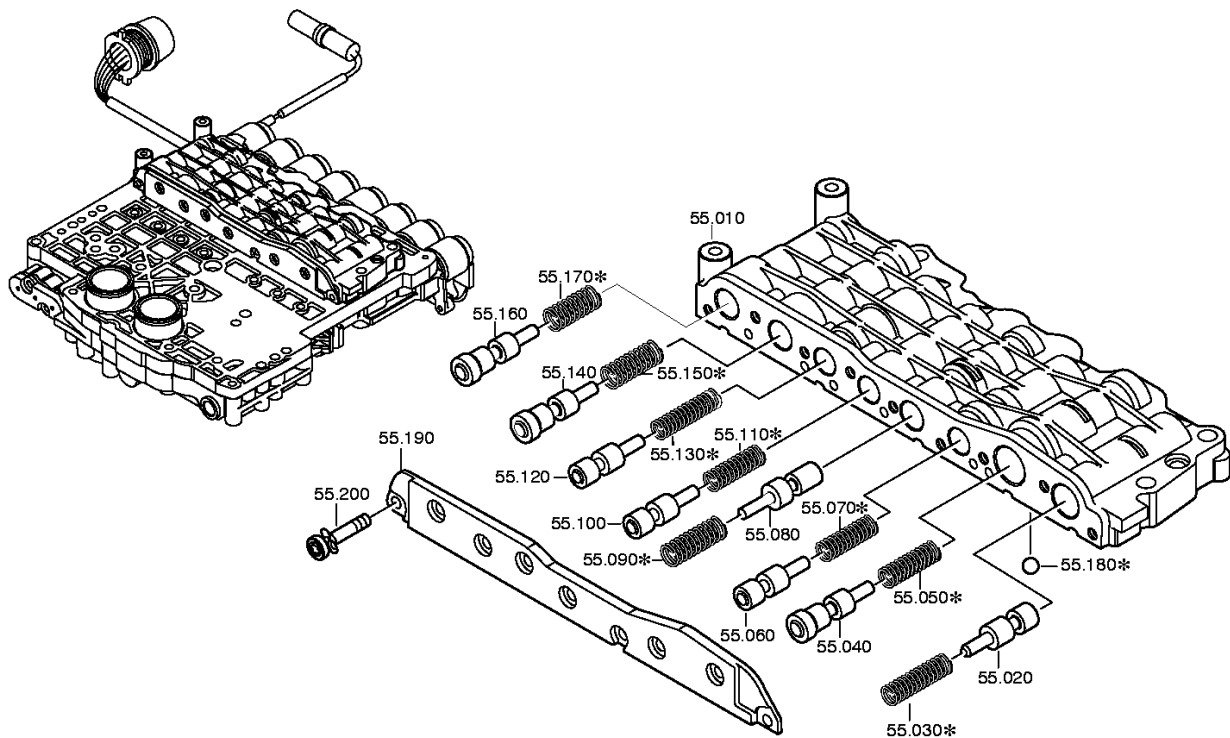


Note: Parts marked with * are only available in kits.



5HP30 Valve Body – Valve Housing Groups (continued)

Pos #	ZF Part #	Description	Qty	Where used (1055 000 ___)	Notes
55.010	1055 327 121	Valve Housing	1	All	
55.020	1055 327 065	Piston	1	All	
55.030	0732 041 462	Compression Spring	1	All	* Available in kit 5HP30VBK
55.040	1055 327 057	Piston	1	All	
55.050	0732 041 826	Compression Spring	1	010/011/029/030/031	* Available in kit 5HP30VBK
	0732 041 976	Compression Spring	1	017/026/027/028/032/ 039/040	
55.060	1043 326 169	Valve Spool	1	All	
55.070	0732 041 337	Compression Spring	1	All	* Available in kit 5HP30VBK
55.080	1055 327 091	Piston	1	All	
55.090	0732 042 382	Compression Spring	1	All	* Available in kit 5HP30VBK
55.100	1043 326 169	Valve Spool	1	All	
55.110	0732 042 504	Compression Spring	1	All	* Available in kit 5HP30VBK
55.120	1043 326 169	Valve Spool	1	All	
55.130	0732 042 022	Compression Spring	1	All	* Available in kit 5HP30VBK
55.140	1055 327 059	Piston	1	All	
55.150	0732 041 667	Compression Spring	1	All	* Available in kit 5HP30VBK
55.160	1055 327 059	Piston	1	All	
55.170	0732 041 325	Compression Spring	1	All	* Available in kit 5HP30VBK
55.180	1043 326 037	Ball	1	All	* Available in kit 5HP30VBK
55.190	1055 327 047	Cover	1	All	
55.200	0736 101 094	Torx Screw	9	All	



Note: Parts marked with * are only available in kits.



5HP30 Selective Shims & Snap Rings

5HP30 Selective Shim

Pos #	Select. Parts	Description	Qty	Where used (1055 000 ___)
10.170		Intermediate Plate Shim	1	All
	0730 107 867	Shim A=1.60		
	0730 107 868	Shim A=1.80		
	0730 107 465	Shim A=2.00		
	0730 107 466	Shim A=2.20		
	0730 107 467	Shim A=2.40		
	0730 107 468	Shim A=2.60		
	0730 107 469	Shim A=2.80		

5HP30 Selective Shim

Pos #	Select. Parts	Description	Qty	Where used (1055 000 ___)
14.080		Output Shim	1	All
	0730 108 718	Shim A=1.00		
	0730 108 719	Shim A=1.20		
	0730 108 720	Shim A=1.40		
	0730 108 721	Shim A=1.60		
	0730 108 722	Shim A=1.80		
	0730 108 723	Shim A=2.00		
	0730 108 724	Shim A=2.20		
	0730 108 725	Shim A=2.40		
	0730 108 726	Shim A=2.60		
	0730 108 727	Shim A=2.80		
	0730 108 728	Shim A=3.00		
	0730 108 729	Shim A=3.20		

5HP30 Selective Snap Ring

Pos #	Select. Parts	Description	Qty	Where used (1055 000 ___)
70.140		Clutch A Snap Ring	1	All
74.090		Clutch E1 Snap Ring	1	All
	1055 370 092	Snap Ring A=2.40		
	1055 370 007	Snap Ring A=2.60		
	1055 370 023	Snap Ring A=2.80		
	1055 370 010	Snap Ring A=3.00		
	1055 370 024	Snap Ring A=3.20		
	1055 370 011	Snap Ring A=3.40		
	1055 370 025	Snap Ring A=3.60		
	1055 370 014	Snap Ring A=3.80		



5HP30 Selective Shims & Snap Rings (continued)

5HP30 Selective Snap Ring – Clutch Pack B, C, D + E2

Pos #	Select. Parts	Description	Qty	Where used (1055 000 ____)
70.250		Clutch C Snap Ring	1	All
71.120		Clutch E2 Snap Ring	1	All
72.130		Clutch B Snap Ring	1	All
73.110		Clutch D Snap Ring	1	All
	1055 371 007	Snap Ring A=3.00		
	1055 371 015	Snap Ring A=3.20		
	1055 371 016	Snap Ring A=3.40		
	1055 371 017	Snap Ring A=3.60		
	1055 371 018	Snap Ring A=3.80		
	1055 371 019	Snap Ring A=4.00		

5HP30 Selective Snap Ring

Pos #	Select. Parts	Description	Qty	Where used (1055 000 ____)
77.110		Clutch F Snap Ring	1	All
	1055 370 007	Snap Ring A=2.60		
	1055 370 010	Snap Ring A=3.00		
	1055 370 011	Snap Ring A=3.40		
	1055 370 014	Snap Ring A=3.80		



5HP30 Kit Content

5HP30 Filter Kit – 1055 298 015

Pos #	ZF Part #	Description	Qty	Where used (1055 000 ___)	Notes
27.450	0501 005 184	Filter	1	All	
27.460	0734 313 181	O-Ring	1	All	
27.470	0736 617 064	Torx Screw M5x14	2	All	

5HP30 Overhaul Kit – 1055 298 019

Pos #	ZF Part #	Description	Qty	Where used (1055 000 ___)	Notes
01.010/160	0734 319 623	Shaft Seal 10x18x5	2	All	
01.030	0734 313 104	O-Ring	2	All	
01.252	0501 318 572	Screw Plug M10x1	1	010/029	
01.260	0750 112 154	Gasket	1	All	
01.310	0734 313 128	O-Ring	2	010/029	
01.650	0501 318 572	Screw Plug M10x1	1	All	
01.660	0501 318 572	Screw Plug M10x1	1	All	
02.020	0734 313 032	O-Ring	1	All	
02.140	0734 401 241	Sealing Ring	2	All	
02.150	0734 401 248	Piston Ring	2	All	
03.010/120	0634 801 206	Sealing Ring	1	All	
03.020	0634 801 097	Sealing Ring	1	All	
03.030	0750 112 155	Gasket	1	All	
10.010/140	1055 310 039	Sealing Ring	1	All	
10.010/170	0750 111 254	Shaft Seal	1	All	
10.014	0734 313 095	O-Ring	1	All	
10.080	0734 401 248	Piston Ring	2	All	
10.100	0734 313 098	O-Ring	1	All	
10.130	0750 112 076	Usit Ring	12	All	
10.140	0750 112 076	Usit Ring	2	All	
14.010/140	0750 111 243	Shaft Seal	1	All	
14.060	0734 313 097	O-Ring	1	All	
27.100	1055 327 093	Gasket	1	010/011	
	1055 327 102	Gasket	1	017/026/027/028/029/ 030/031/032/039/040	
27.242	0734 313 121	O-Ring	2	All	
27.252	0734 313 121	O-Ring	2	All	
27.260/116	0501 209 253	O-Ring	2	All	
27.460	0734 313 181	O-Ring	1	All	
32.290	0734 313 094	O-Ring	1	All	
32.350	0734 313 093	O-Ring	1	All	
51.260/010	0734 313 120	O-Ring	1	All	
51.270/010	0734 313 134	O-Ring	4	All	
70.010/150	0734 313 024	O-Ring	1	All	
70.010/160	0734 313 029	O-Ring	1	All	
70.030	0734 313 117	O-Ring	1	All	
70.040	0734 313 023	O-Ring	1	All	

Note: Above listed parts are not sold individually.



5HP30 Kit Content (continued)

5HP30 Overhaul Kit – 1055 298 019 (continued)

Pos #	ZF Part #	Description	Qty	Where used (1055 000 ____)	Notes
70.070	0734 313 117	O-Ring	1	All	
70.160	0734 313 115	O-Ring	1	All	
70.170	0734 313 116	O-Ring	1	All	
71.020	0734 313 115	O-Ring	1	All	
71.030	0734 313 116	O-Ring	1	All	
72.030	0734 313 117	O-Ring	1	All	
72.040	0734 313 027	O-Ring	1	All	
72.050	0734 313 118	O-Ring	1	All	
72.140	0734 317 217	Piston Ring	1	All	
73.020	0734 313 114	O-Ring	1	All	
73.030/160	0734 313 024	O-Ring	2	All	
77.140	0734 313 096	O-Ring	1	All	

5HP30 Fiber Clutch Kit – 1055 298 024

Pos #	ZF Part #	Description	Qty	Where used (1055 000 ____)	Notes
70.110	1055 270 030	Friction Plate A	5	010/011/029/030/031	
70.230	1055 271 025	Friction Plate C	3	010/011/029/030/031	
71.100	1055 271 025	Friction Plate E2	4	010/011/029/030/031	
72.100	1055 271 025	Friction Plate B	5	010/011/029/030/031	
73.080	1055 271 025	Friction Plate D	5	010/011/029/030/031	
74.060	1055 270 030	Friction Plate E1	5	010/011/029/030/031	
77.090	1055 270 030	Friction Plate F	6	010/011/029/030/031	

5HP30 Fiber Clutch Kit – 1055 298 025

Pos #	ZF Part #	Description	Qty	Where used (1055 000 ____)	Notes
70.110	1055 270 072	Friction Plate A	5	017/027/028/032/039/ 040	
70.230	1055 271 054	Friction Plate C	3	017/027/028/032/039/ 040	
71.100	1055 271 054	Friction Plate E2	3	017/027/028/032/039/ 040	
72.100	1055 271 054	Friction Plate B	6	017/027/028/032/039/ 040	
73.080	1055 271 054	Friction Plate D	5	017/027/028/032/039/ 040	
74.060	1055 270 072	Friction Plate E1	6	017/027/028/032/039/ 040	
77.090	1055 270 072	Friction Plate F	6	017/027/028/032/039/ 040	

Note: Above listed parts are not sold individually.



5HP30 Kit Content (continued)

5HP30 Fiber Clutch Kit – 1055 298 026

Pos #	ZF Part #	Description	Qty	Where used (1055 000 ___)	Notes
70.110	1055 270 069	Friction Plate A	5	026	
70.230	1055 271 053	Friction Plate C	3	026	
71.100	1055 271 053	Friction Plate E2	3	026	
72.100	1055 271 053	Friction Plate B	6	026	
73.080	1055 271 053	Friction Plate D	5	026	
74.060	1055 270 069	Friction Plate E1	6	026	
77.090	1055 270 069	Friction Plate F	6	026	

5HP30 Steel Kit – 1055 298 027

Pos #	ZF Part #	Description	Qty	Where used (1055 000 ___)	Notes
70.100	1055 370 089	Steel Plate A	5	All	
70.120	1055 370 090	End Plate A	1	All	
70.220	1055 371 003	Steel Plate C	3	All	
70.240	1055 370 095	End Plate C	1	All	
71.090	1055 371 003	Steel Plate E2	4	All	017/026/027/028/032/039/040 use 3 pieces
71.110	1055 371 003	End Plate E2	1	All	
72.090	1055 371 003	Steel Plate B	6	All	010/011/026/029/030/031 use 5 pieces
72.110	1055 371 003	End Plate B	1	All	
73.070	1055 371 003	Steel Plate D	5	All	
73.090	1055 371 003	End Plate D	1	All	
74.050	1055 374 024	Steel Plate E1	6	All	010/011/029/030/031 use 5 pieces
74.070	1055 370 089	End Plate E1	1	All	
77.080	1055 374 024	Steel Plate F	6	All	
77.100	1055 376 054	End Plate F	1	017/027/028/032/039/ 040	

5HP30 Solenoid Kit – 1055 298 028

Pos #	ZF Part #	Description	Qty	Where used (1055 000 ___)	Notes
51.250	0750 132 122	Solenoid Valve	3	All	
51.260	0501 209 875	Pressure Regulator	1	017/026/027/028/032/ 039/040	
51.260/010	0734 313 120	O-Ring	1	All	
51.270	0501 210 061	Pressure Regulator	4	All	
51.270/010	0734 313 134	O-Ring	4	All	

Note: Above listed parts are not sold individually.



5HP30 Kit Content (continued)

5HP30 Solenoid Kit – 1055 298 029

Pos #	ZF Part #	Description	Qty	Where used (1055 000 ____)	Notes
51.250	0750 132 122	Solenoid Valve	3	All	
51.260	0501 311 843	Pressure Regulator	1	010/011/029/030/031	
51.260/010	0734 313 120	O-Ring	1	All	
51.270	0501 210 061	Pressure Regulator	4	All	
51.270/010	0734 313 134	O-Ring	4	All	

5HP30 Molded Rubber Piston Kit – 1055 298 030

Pos #	ZF Part #	Description	Qty	Where used (1055 000 ____)	Notes
73.030	0750 132 082	Piston D	1	All	
74.010	0750 132 086	Piston E1	1	All	
77.040	0750 132 072	Piston F	1	All	

5HP30 Bearing Kit – 5HP30BRGK

Pos #	ZF Part #	Description	Qty	Where used (1055 000 ____)	Notes
02.040	1055 202 031	Bearing Set	1	All	
02.060	1055 202 033	Bearing Set	1	All	
02.090	0750 115 378	Axial Needle Bearing	1	All	
02.200	0750 115 378	Axial Needle Bearing	1	All	
10.010/140	0735 298 136	Needle Bearing	1	All	
10.160	1055 202 033	Bearing Set	1	All	
14.010/120	0735 340 153	Output Bearing	1	All	
32.210	1055 232 081	Bearing Set	1	All	
74.100/160	1055 331 016	Axial Washer	1	All	
74.120	1055 274 023	Bearing Set	1	All	
77.020	0635 303 058	Needle Sleeve	1	All	

5HP30 Filter Kit – 5HP30FK

Pos #	ZF Part #	Description	Qty	Where used (1055 000 ____)	Notes
	1055 298 015	5HP30 Filter Kit	1	All	
03.010/120	0634 801 206	Sealing Ring	1	All	
03.020	0634 801 097	Sealing Ring	1	All	
03.030	0750 112 155	Gasket	1	All	
27.450	0501 005 184	Filter	1	All	Included in kit 1055 298 015
27.460	0734 313 181	O-Ring	1	All	Included in kit 1055 298 015
27.470	0736 617 064	Torx Screw M5x14	2	All	Included in kit 1055 298 015

Note: Above listed parts are not sold individually.



5HP30 Kit Content (continued)

5HP30 Valve Body Kit – 5HP30VBK

Pos #	ZF Part #	Description	Qty	Where used (1055 000 ____)	Notes
27.020	1056 327 019	Valve Orifice D=1.0	1	All	
27.030	1056 327 039	Valve Orifice D=1.7	1	All	
27.034	1056 327 021	Valve Orifice D=1.5	1	017/026/027/028/029/ 030/031/032/039/040	316 Valve Body and over
27.040	1056 327 020	Valve Orifice D=1.2	1	All	
27.050	1056 327 019	Valve Orifice D=1.0	1	All	
27.060	1056 327 020	Valve Orifice D=1.2	1	All	
27.070	1056 327 020	Valve Orifice D=1.2	1	All	
27.086	1043 326 037	Check Ball	1	All	
27.090	0501 313 177	Screen	1	All	
27.096	0732 041 937	Compression Spring	1	All	Under valve in channel plate
27.100	1055 327 093	Gasket	1	010/011	312 Valve Body and under
	1055 327 102	Gasket	1	017/026/027/028/029/ 030/031/032/039/040	316 Valve Body and over
27.260/116	0501 209 253	O-Ring	2	All	
50.020	1056 327 173	Selector Shift Valve	1	All	
50.040	0732 042 430	Compression Spring	1	010/011/029/030/031	
50.060	0732 042 477	Compression Spring	1	All	
50.070	1058 327 030	Main Pressure Valve	1	All	
50.080	0732 042 381	Compression Spring	1	All	
50.110	0732 041 550	Compression Spring	1	010	309 Valve Body and under
	0732 042 492	Compression Spring	1	011/017/026/027/028/ 029/030/031/032/039/ 040	312 Valve Body and over
50.128	0732 041 523	Compression Spring	1	All	
50.142	0732 041 526	Compression Spring	1	All	
50.148	0732 041 809	Compression Spring	1	All	
50.158	0732 042 561	Compression Spring	1	All	
50.170	0732 042 561	Compression Spring	1	All	
50.190	0732 042 561	Compression Spring	1	All	
50.204	0732 042 561	Compression Spring	1	All	
51.030	0732 041 547	Compression Spring	1	All	
51.060	0732 041 462	Compression Spring	1	All	
51.080	0732 041 462	Compression Spring	1	All	
51.100	0732 041 826	Compression Spring	1	All	
51.120	0732 041 337	Compression Spring	1	All	
51.140	0732 041 462	Compression Spring	1	All	
51.190	0732 041 606	Compression Spring	1	All	
51.210	0732 041 547	Compression Spring	1	All	
51.260/010	0734 313 120	O-Ring	1	All	
51.270/010	0734 313 134	O-Ring	4	All	
55.030	0732 041 462	Compression Spring	1	All	
55.050	0732 041 826	Compression Spring	1	010/011/029/030/031	
55.070	0732 041 337	Compression Spring	1	All	
55.090	0732 042 382	Compression Spring	1	All	
55.110	0732 042 504	Compression Spring	1	All	
55.130	0732 042 022	Compression Spring	1	All	

Note: Above listed parts are not sold individually.



5HP30 Kit Content (continued)

5HP30 Valve Body Kit – 5HP30VBK (continued)

Pos #	ZF Part #	Description	Qty	Where used (1055 000 ____)	Notes
55.150	0732 041 667	Compression Spring	1	All	
55.170	0732 041 325	Compression Spring	1	All	
55.180	1043 326 037	Check Ball	1	All	

Note: Above listed parts are not sold individually.



5HP30 Kit Torque Converter Spare Parts & Kits

5HP30 Torque Converter Spare Parts

Pos #	ZF Part #	Description	Qty	Where used (4168 028 ___)	Notes
	0501 320 347	5HP30 TC Washer 2.0	1	213/221	Selective Washer
	0501 320 348	5HP30 TC Washer 2.2	1	213/221	Selective Washer
	0501 320 349	5HP30 TC Washer 2.4	1	213/221	Selective Washer
	0501 320 353	5HP30 TC Friction Plate	1	213/221	

5HP30 Torque Converter Kits

Pos #	ZF Part #	Description	Qty	Where used (4168 028 ___)	Notes
	4168 298 067	5HP30 TC Rebuild Kit	1	213/221	Parts are not sold individually
	4168 298 068	5HP30 TC Stator Kit	1	213/221	Parts are not sold individually

Note: The rebuild kit (4168 298 067) includes 3x Axial Needle Bearings, 2x Diaphragm Springs, 1x Sealing Ring, 1x Sealing Lip Ring, and 1x Snap Ring

The stator kit (4168 298 068) includes 2x Thrust Washer, 1x Freewheel, and 1x Inner Freewheel Ring.



Quotation / Order Form

FAX FORM TO YOUR PREFERRED ZF PASSENGER CAR TRANSMISSION DISTRIBUTOR

Purchase Order Date: _____

Purchase Order #: _____

Customer Information

Company Name: _____

Contact: _____

Street: _____

City, State & Zip: _____

Phone #: _____

Fax #: _____

Email: _____

Customer #: _____

Shipping Information

Ship To: _____

Attention: _____

Street: _____

City, State & Zip: _____

Request Date: _____

Ship via: _____

Vehicle Information

Make: _____

Model: _____

Model Year: _____

Transmission Spec: _____

Order Information

Line	Qty	Pos. #	ZF Part #	Description / Cust. Ref. No.
1				
2				
3				
4				
5				
6				
7				
8				
9				
10				
11				
12				
13				
14				
15				
16				
17				
18				
19				
20				

Signature: _____

Date: _____



Notes

ZF Industries, Inc.
Passenger Car Transmissions
Vernon Hills, IL 60061
Phone +1 847 478-6868
Fax +1 847 634-0221
Email passcarinfo@zf.com
Web www.zf-group.com



Driveline and Chassis Technology